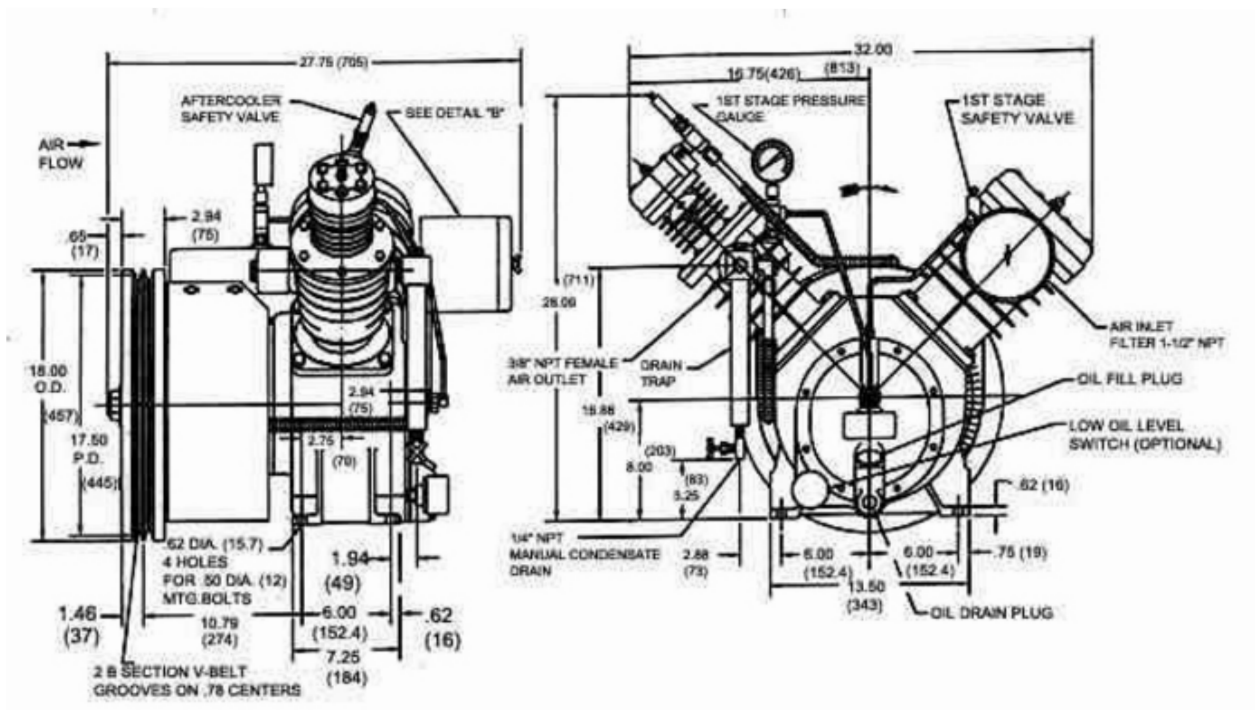


7. COMPRESSOR DRIVE & ACCESSORIES - MODEL 7T2



7. COMPRESSOR DRIVE & ACCESSORIES - MODEL 7T2

No.	Description	Ref Part No.	QTY
8-01	Compressor Bare Local	97043897	1
8-02	Base Plate	97044762	1
8-02A	Base Plate for Engine Drive	97044952	1
8-03	Belt V B-95	94465101	2
8-03	Belt V B-96	97044457	2
8-03	Belt V B-100	94469509	2
8-04	Belt V B-98	90235458	2
8-04	Pulley Motor 61116 B 0238	97043228	1
8-04	Pulley Motor 10 B 0238	97055156	1
8-04	Pulley Motor 800 RPM	97056311	1
8-05	Guard Belt	70234067	1
8-06	Distance Piece Belt Guard 1/2 X 12.5	97042337	2
8-07	Slide Rail 14"	97044127	1
8-07A	Slide Rail 18"	97044143	1
8-08	Switch Press 10-40 Bar 1/4" NPT	97044069	1
	Optional Equipments		
8-11A	Motor Electric 7.5 H.P. Any Make TECF	97051742	1
8-11B	Motor Electric 10 H.P. Any Make TECF	97056501	1
8-11C	Motor Electric 12.5 H.P. Any Make TECF	97056501	1
8-12A	Starter 7.5 H.P. D.O.L Any Make	97056659	1
8-12B	Starter 10 H.P. D.O.L Any Make	97056519	1
8-12C	Starter 12.5 H.P. D.O.L Any Make	97054423	1
8-20	Aftercooler Air Cooled Assembly	94465309	1
8-21	Tube Copper 1" X 7/8"	97045769	3FT
8-22	Nut Connector 1" NPT	95229175	2
8-23	Elbow Tube 1" OD * 1" Npt Male	95229183	2
8-31A	Diesel Engine 'Taf2' 12 HP Kirloskar	97053516	1
8-31B	Diesel Engine 'Ta2' 12 HP	97053524	1
8-31C	Diesel Engine 'Ta2' 12 Electric Start	97053532	1
8-32	Auxiliary Valve 301-600 PSIG	94465077	1
8-32	Auxiliary Valve 201-300 PSIG	94465085	1
8-35	Check Valve 3/4" -1000 PSIG	94496403	1