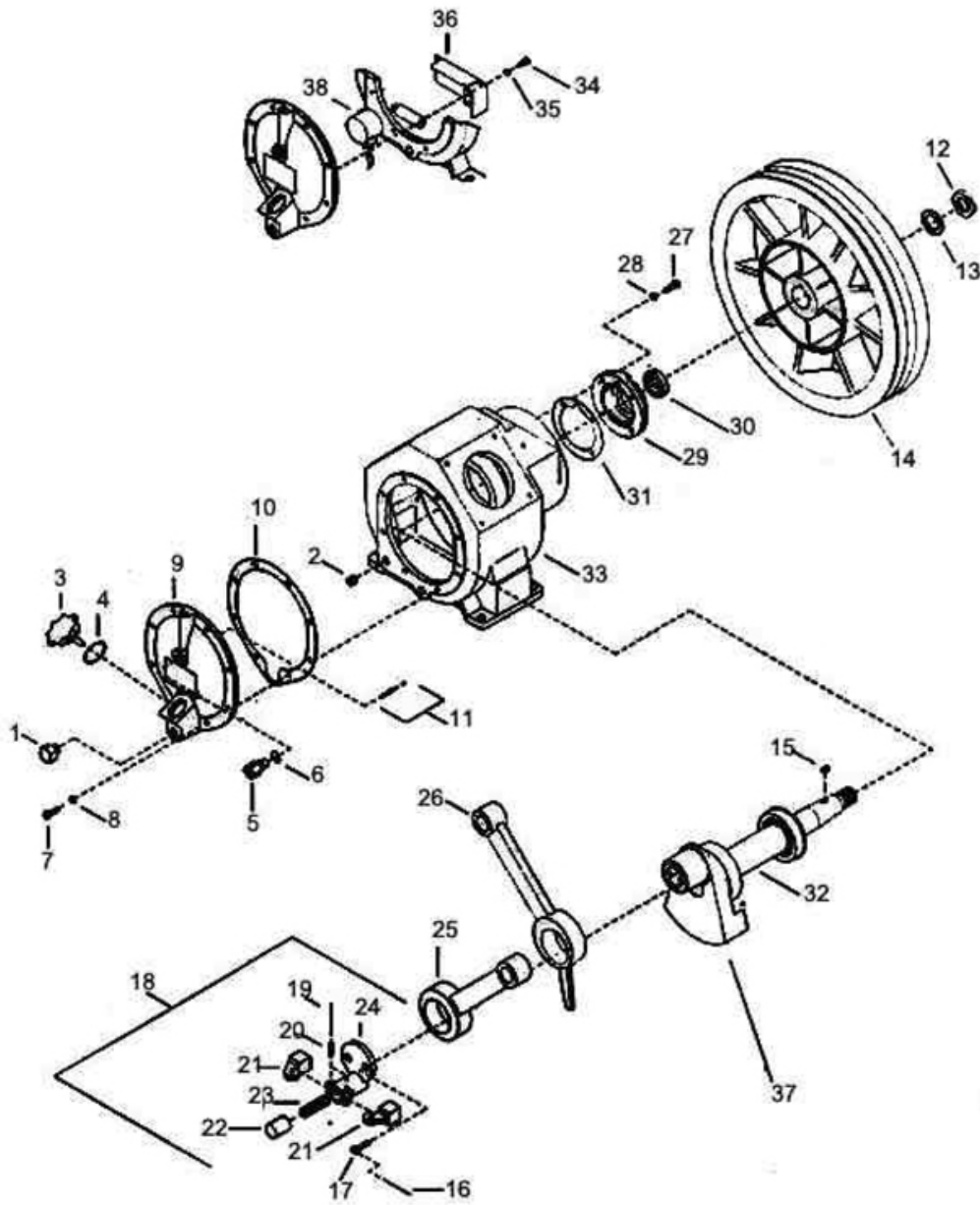


### 3. COMPRESSOR FRAME ASSEMBLY - MODEL 7T2



### 3. COMPRESSOR FRAME ASSEMBLY - MODEL 7T2

No.	Description	Ref Part No.	QTY
3-1	Plug Hex Head 3/4" NPT	95200333	1
3-2	Plug Hex Head 1/2" NPT	95344651	1
3-3	Guages Oil	37128378	1
3-4	– O Ring 7/8 X 1-1/8	95022158	1
3-5	Valve Pilot	37113701	1
3-6	Washer Copper 7/8"	30346597	2
3-7	Screw CP Hex 3/8" X 7/8"	95103768	8
3-8	Washer Copper 3/8"	95674677	8
3-9	Cover Assembly Frame End	31246572	1
3-10	Gasket Cover Crank Case	30439277	1
3-11	Pin Thrust Assembly	32218406	1
3-11A	Pin Thrust Unloader	32216426	1
3-11A	O Ring 1/8" X 1/4" X 1/6" Viton	95022695	1
3-12	Nut Hex Belt Wheel	30835698	1
3-13	Washer Spring 1-1/8"	95064747	1
3-14	Wheel Belt	32177206	1
3-14A	Wheel Belt Rev. Rotation-Eng. Drv.	94465168	1
3-15	Key Woodruf	95047437	1
3-16	Wire, Locking #20 Guage 5" Long	90799289	1
3-17	Screw Cap Hex 3/8" X 1" Drilled HT	95035341	2
3-18	Cap Crank Pin Assembly	30210272	1
3-19	– Wire Locking #18 Guage's 5" Long	90799271	1
3-20	– Pin Unloader Weight	30214951	2
3-21	– Unloader Weight	30220875	2
3-22	– Plunger Unloader - Centrifugal	30285688	1
3-23	– Spring Unloader Plunger "PP566"	30815898	1
3-24	– Cap Crank Pin	30210322	1
3-25	Rod Connecting L.P.	32003659	1
3-26	Rod Connecting H.P.	30217327	1
3-27	Screw Cap Hex 3/8" X 7/8"	95103768	4
3-28	Washer Copper 3/8"	95674677	1
3-29	Cover Shaft End	32301566	1
3-30	– Seal Oil Viton - Double LIP	32204588	1

### 3. COMPRESSOR FRAME ASSEMBLY - MODEL 7T2

No.	Description	Ref Part No.	QTY
3-31	Gasket Cover Shaft End	30295166	1
3-32	Crank Shaft Assembly + Brg. + Nut + Key	70240916	1
3-33	Crankcase	32270571	1
3-34	Screw Cap Hex Head 1/4" X 1/2"	95053070	2
3-35	Washer Spring 1/4"	32035476	2
3-36	Baffle Series	32275620	1
3-37	Bushing Crankpin	32295883	1
3-38	Switch Low Oil 3/4" Local	70235262	1