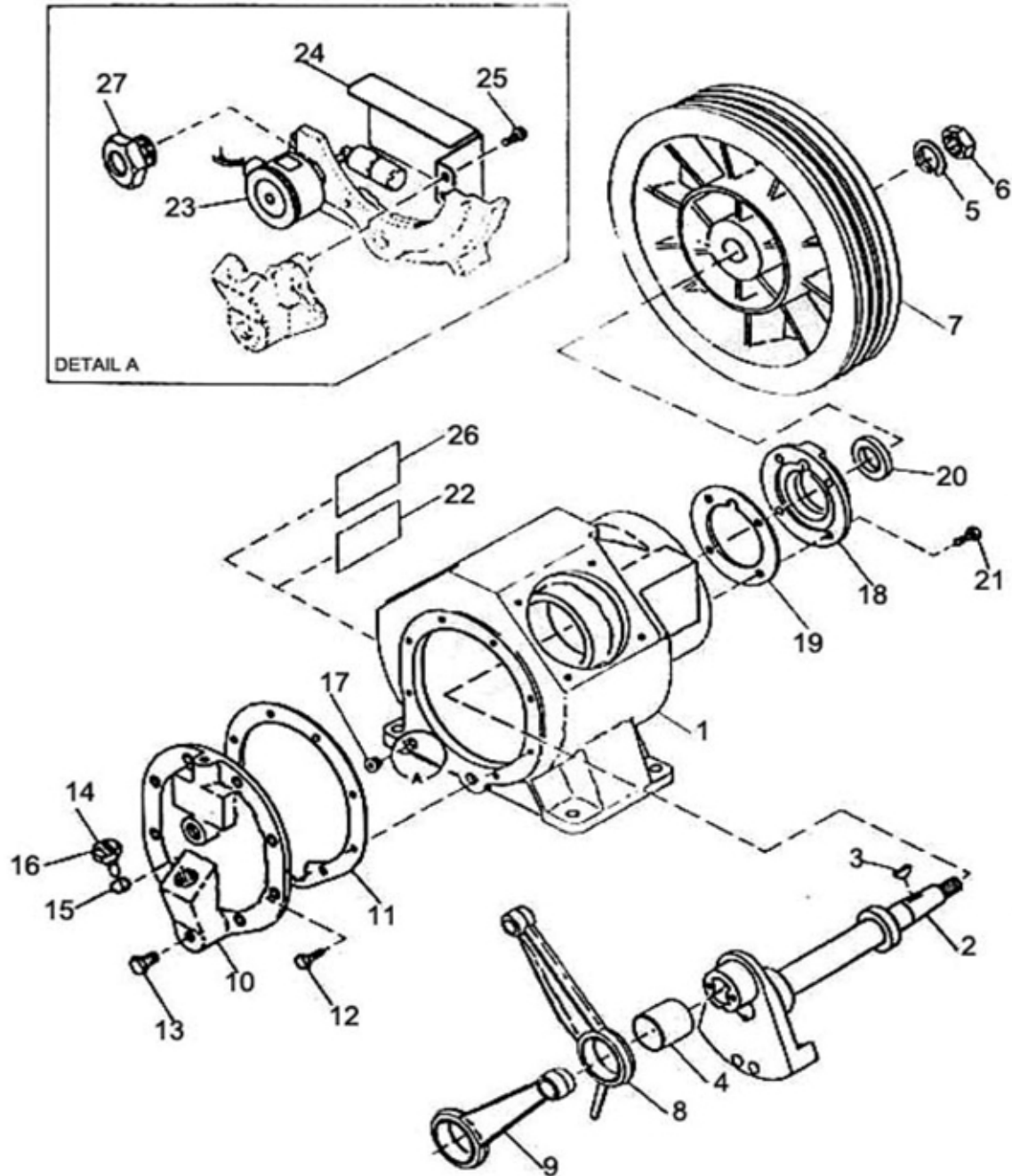


7. COMPRESSOR FRAME ASSEMBLY - MODEL 71T2



7. COMPRESSOR FRAME ASSEMBLY - MODEL 71T2

No.	Description	Ref Part No.	QTY
7-1	Crankcase	30212997	1
7-2	Crankshaft complete	30211627	1
7-3	– Key woodruff	95047437	1
7-4	– Bushing crankpin	37002375	1
7-5	– Washer lock	95324844	1
7-6	– Nut belt wheel	30835698	1
7-7	Wheel "V" Belt	30285175	1
7-8	Rod HP Connecting	30217327	1
7-9	Rod LP Connecting	32003659	1
7-10	Cover frame end complete	30944862	1
7-11	– Gasket frame end cover	30439277	1
7-12	Screw cap	95251013	8
7-13	Plug Hex head pipe	95033445	1
7-14	Plug oil filler complete	30213094	1
7-15	O RING	95018149	1
7-16	Decal oil plug	32000655	1
7-17	Plug countersunk 1/2	95043238	1
7-18	Cover shaft end complete	37004363	1
7-19	– Gasket shaft end cover	30295166	1
7-20	– Seal shaft oil	37007648	1
7-21	Screw cap	95251013	4
7-22	Decal danger	35815802	1
	Optional -Used with Low Oil Level Shutdown Switch		
7-23	– Switch- Low Oil Level Shutdown	32001109	1
7-24	– Baffle - Low Oil Level Switch	30285548	1
7-25	– Screw - Cap	95311650	2
7-26	– Decal - Low Oil Level Protection Switch	95203063	1
	Optional - Used in Place of Low Oil Level Shutdown Switch		
7-27	Plug - Oil Level Sight	37163334	1