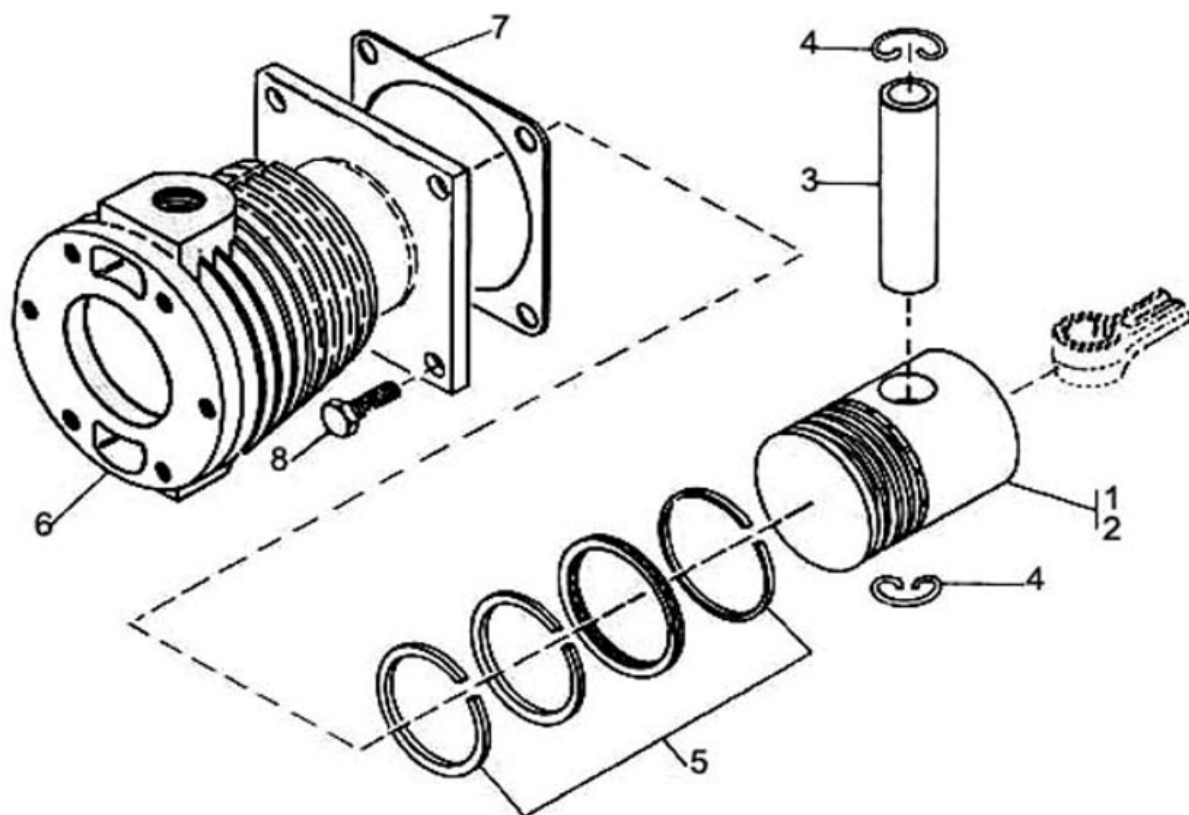


## 6. 5.5 INCH DIAMETER PISTON & CYLINDER ASSEMBLY - MODEL 71T2



## 6. 5.5 INCH DIAMETER PISTON & CYLINDER ASSEMBLY - MODEL 71T2

No.	Description	Ref Part No.	QTY
6-1	Piston and rings complete	31517675	1
6-2	– Piston complete	30215222	1
6-3	– – Pin piston	30288427	1
6-4	– – Ring lock	30288450	2
6-5	– Set piston ring	37138070	1
6-6	Cylinder complete	30212161	1
6-7	– Gasket cylinder flange	30294235	1
6-8	Screw cap	95053575	4