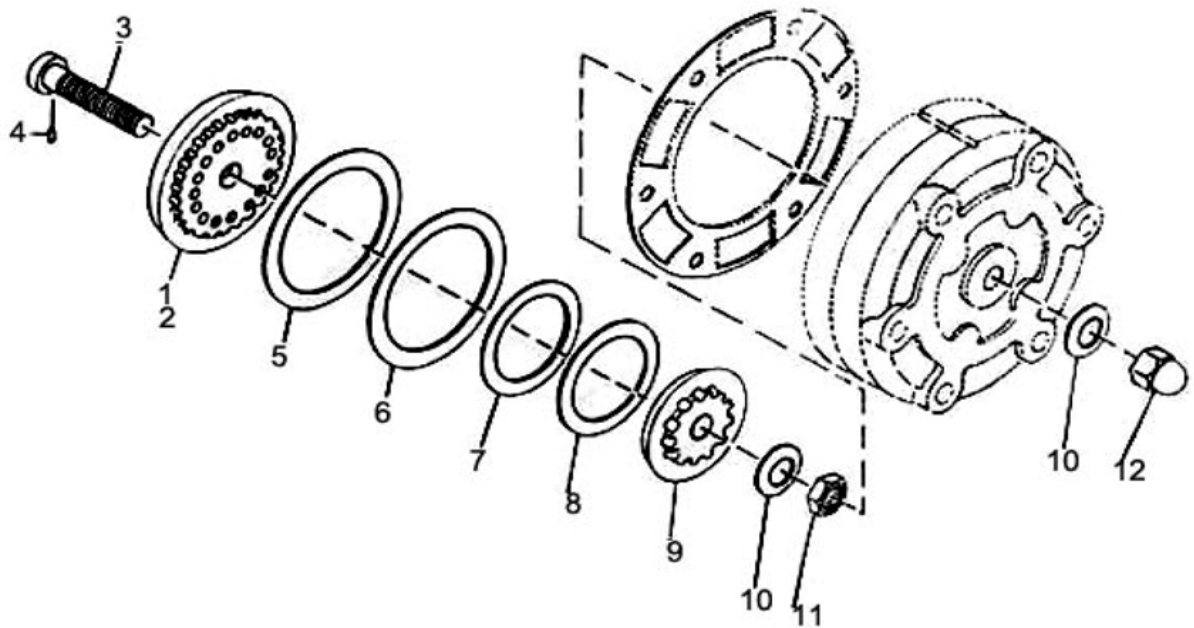


4. 55 GA CONCENTRIC RING VALVE ASSEMBLY - MODEL 71T2



4. 55 GA CONCENTRIC RING VALVE ASSEMBLY - MODEL 71T2

No.	Description	Ref Part No.	QTY
4-1	Valve complete	37101946	1
4-2	– Seat discharge valve	30217673	1
4-3	– Bolt valve	30279897	1
4-4	– – Pin bolt	30289631	1
4-5	– Spring inlet valve	30221550	1
4-6	– Plate inlet valve	30215891	1
4-7	– Plate discharge valve	30181499	1
4-8	– Spring discharge valve	30221501	1
4-9	– Plate discharge valve stop	30218978	1
4-10	– Washer spring belleville	37092897	2
4-11	– Nut Hex	95076816	1
4-12	– Nut Acorn	30287650	1