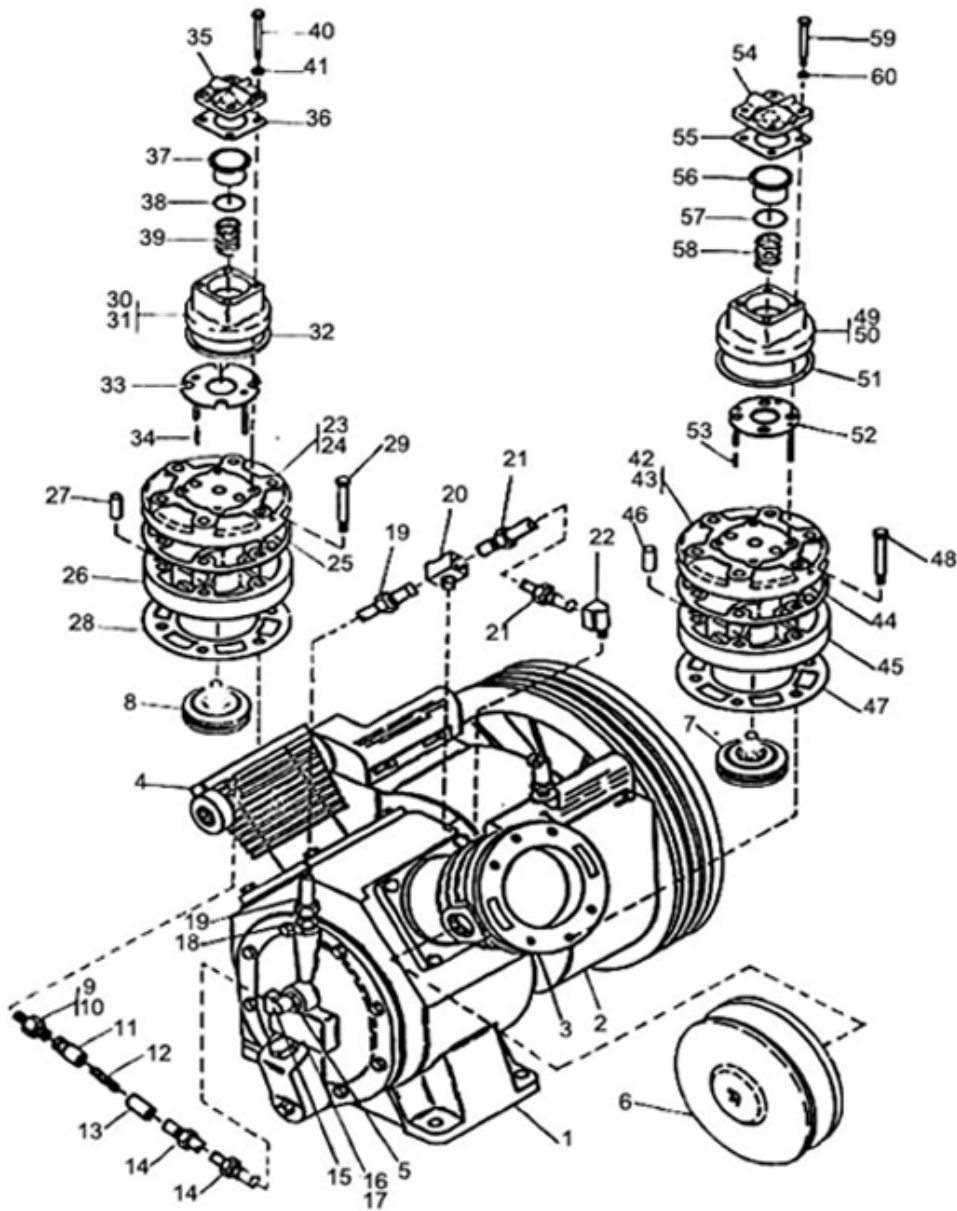


1. BARE COMPRESSOR - MODEL 71T2



1. BARE COMPRESSOR - MODEL 71T2

No.	Description	Ref Part No.	QTY
1-9	Valve cylinder relief complete	30291801	1
1-10	– Body relief valve	30209258	1
1-11	– Bare relief valve	30283519	1
1-12	– Cap relief valve	30279293	1
1-13	– Spring relief valve	32018731	1
1-14	Tube assembly with nuts	37131471	1
1-15	Elbow Tube	95040135	1
1-16	Nameplate	95202800	–
1-17	Stud Drive	30841456	4
1-18	Connector Tube	95082491	1
1-19	Tube assembly with nuts	37131463	1
1-20	Tee Tube	95007522	1
1-21	Tube assembly with nuts	37131455	1
1-22	Elbow Tube	95031852	1
1-23	Head Air complete for automatic start	37101300	1
	and stop operation see figure C for		
	valve assembly		
1-24	– Head air top half	37129442	1
1-23	Head air complete for (optional) constant	37101318	1
	speed or dual control operation		
1-24	– Head air bottom half	37129467	1
1-25	– – Gasket between halves	37007754	1
1-26	– Head air bottom half	37129541	1
1-27	– – Dowel	37114030	1
1-28	– – Gasket air head to cylinder	30294508	1
1-29	Screw cap 1/2 X 3	95043790	4
1-30	Unloader constant speed complete	30293015	1
	Optional		
1-31	– Body unloader complete	30209167	1
1-32	– – Gasket body	30294680	1
1-33	– Plate unloader	32016578	1
1-34	– Spring	32012395	2
1-35	– Cover unloader complete	30211460	1
1-36	– – Gasket Cover	30294656	1
1-37	– Piston unloader complete	30284749	1
1-38	– – O Ring	95022000	1
1-39	– Spring	32018723	1
1-40	– Screw cap 3/8 - 16 X 3 1/2	95102042	4

1. BARE COMPRESSOR - MODEL 71T2

No.	Description	Ref Part No.	QTY
1-41	– Washer plain 3/8	30345227	4
	stop operation see figure D for valve assy		
1-43	– Head air top half	37130531	1
1-42	Head air complete for (optional) constant	37101334	1
	speed or dual control operation		
1-43	– Head air top half	37130572	1
1-44	– – Gasket between halves	37047156	1
1-45	– Head air bottom half complete	37130549	1
1-46	– – Dowel	37114030	1
1-47	– – Gasket air head to cylinder	30294326	1
1-48	Screw cap 1/2 X 3	95043790	4
1-49	Unloader constant speed complete	30292007	1
	(Optional)		
1-50	– Body unloader complete	31517709	1
1-51	– – Gasket body	30294698	1
1-52	– Plate unloader complete	32016537	1
1-53	– Spring	32012395	3
1-54	– Cover unloader complete	30211460	1
1-55	– – Gasket cover	30294656	1
1-56	– Piston Unloader complete	30284749	1
1-57	– – O Ring	95022000	1
1-58	– Spring	32018723	1
1-59	– Screw cap 3/8 - 16 X 3 1/2	95102042	4
1-60	– Washer plain 3/8	30345227	4