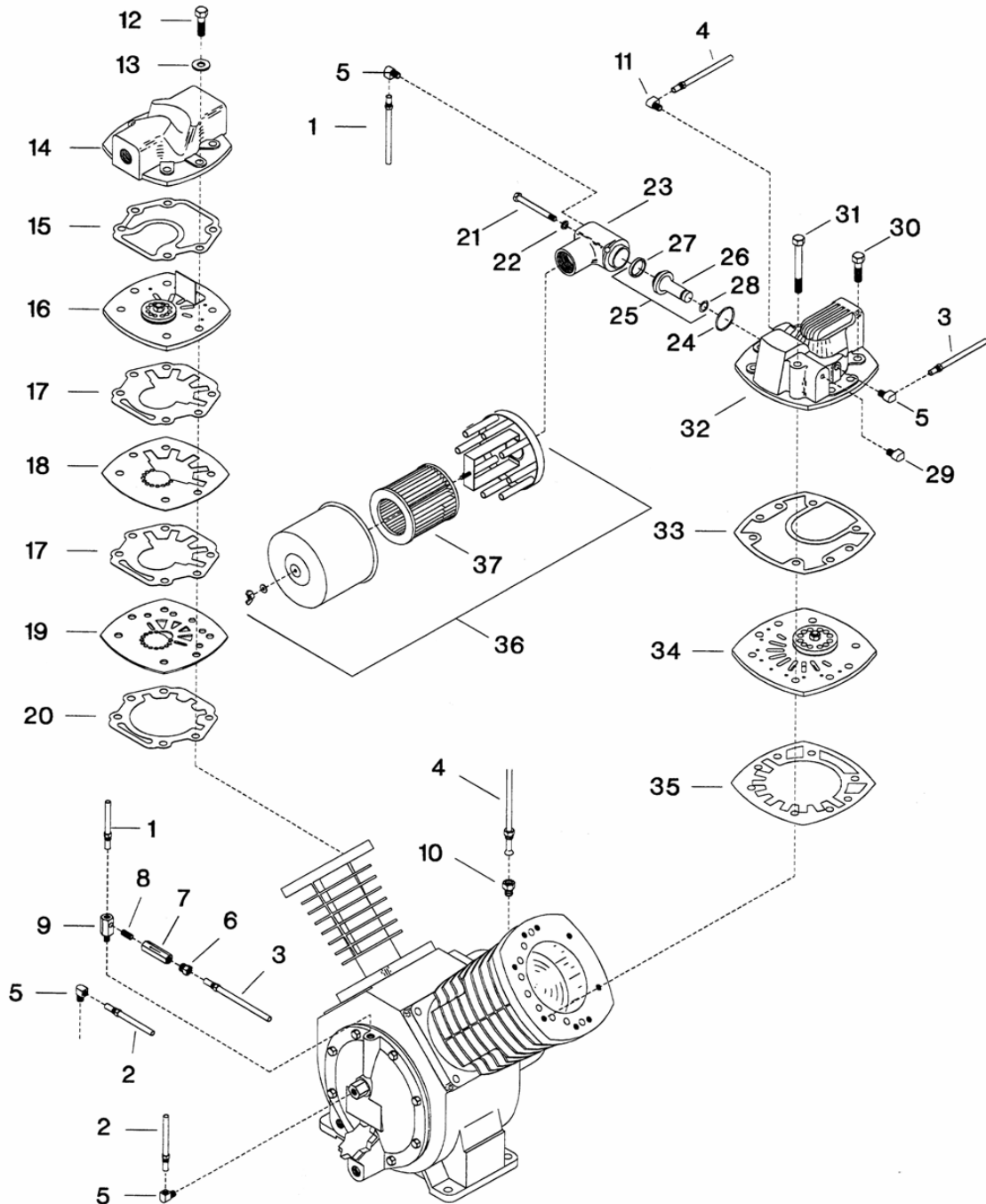


2. BARE COMPRESSOR - MODEL 7100



2. BARE COMPRESSOR - MODEL 7100

| No. | Description | Ref Part No. | QTY |
|------|--|--------------|-----|
| 2-1 | Ass'y, Tube - Frame End cover/Unloader Cover - 5/16" Dia | 32203440 | 1 |
| 2-2 | Ass'y, Tube - Pilot Valve/2nd Stage Manifold 5/16" Dia | 32183717 | 1 |
| 2-3 | Ass'y, Tube - Check Valve/Right - Hand Head 5/16" Dia | 32200529 | 1 |
| 2-4 | Ass'y, Tube Breather - 3/8" Dia | 32200560 | 1 |
| 2-5 | Elbow, Tube - 5/16 X 1/4" (If Supplied) | 95110441 | 4 |
| 2-6 | Connector, Tube 5/16" X 1/8" (If Supplied) | 95082483 | 1 |
| 2-7 | Valve, Check (If supplied) | 32001141 | 1 |
| 2-8 | Nipple, close -1/8 X 3/4" (if Supplied) | 95796017 | 1 |
| 2-9 | Connector, Tube 5/16" X 1/4" Male Long (If Supplied) | 32203242 | 1 |
| 2-10 | Connector, Male - 3/8" X 1/4" | 95083143 | 1 |
| 2-11 | Elbow, Tube - 3/8" X 1/4" | 95040143 | 1 |
| 2-12 | Capscrew - Hex 1/2-13 X 2" | 95104196 | 6 |
| 2-13 | Washer, Flat - 1/2" | 32060006 | 6 |
| 2-14 | Head, Second stage - High Pressure | 32172199 | 1 |
| 2-15 | Gasket, Head - Second Stage | 32252801 | 1 |
| 2-16 | Ass'y, Valve Plate - Second stage (see Fig. C, Page 8) | 32228322 | 1 |
| 2-17 | Gasket, Spacer Plate - Second stage | 32252819 | 2 |
| 2-18 | Plate, Spacer -Second Stage | 32228280 | 1 |
| 2-19 | Plate, Dics - Second Stage | 32228272 | 1 |
| 2-20 | Gasket, Valve Plate - Second Stage | 32252827 | 1 |
| 2-21 | Capscrew - Hex 5/16-1/8 X 3-3/4" | 95035259 | 2 |
| 2-22 | Lockwasher, Spring -5/16" | 95043188 | 2 |
| 2-23 | Cover, Unloader | 32174336 | 1 |
| 2-24 | O-Ring | 95026183 | 1 |
| 2-25 | Ass'y, Unloader Piston (If Supplied) | 32256257 | 1 |
| 2-26 | - Piston, Unloader | NSS | 1 |
| 2-27 | - Seal, Unloader Piston | 32254740 | 1 |
| 2-28 | - O-Ring, Unloader Piston | 32188385 | 1 |
| 2-29 | Elbow, Orifice-Unloader (If Supplied) | 32256356 | 1 |
| 2-30 | Capscrew - Hex 1/2-13 X 1-3/4" | 95104188 | 7 |
| 2-31 | Capscrew - Hex 1/2-13 X 4-1/4" | 95104279 | 1 |
| 2-32 | Head, First stage - Low Pressure | 32172207 | 1 |
| 2-33 | Gasket, Head - First Stage | 32172926 | 1 |
| 2-34 | Ass'y,Valve Plate-First stage (See Fig. 4, PG. 9) | 32228330 | 1 |
| 2-35 | Gasket, Valve Plate - First Stage | 32172942 | 1 |
| 2-36 | Filter, Inlet - Complete | 32109779 | 1 |
| 2-37 | - Element, Filter - 10 Micron | 32012957 | 1 |