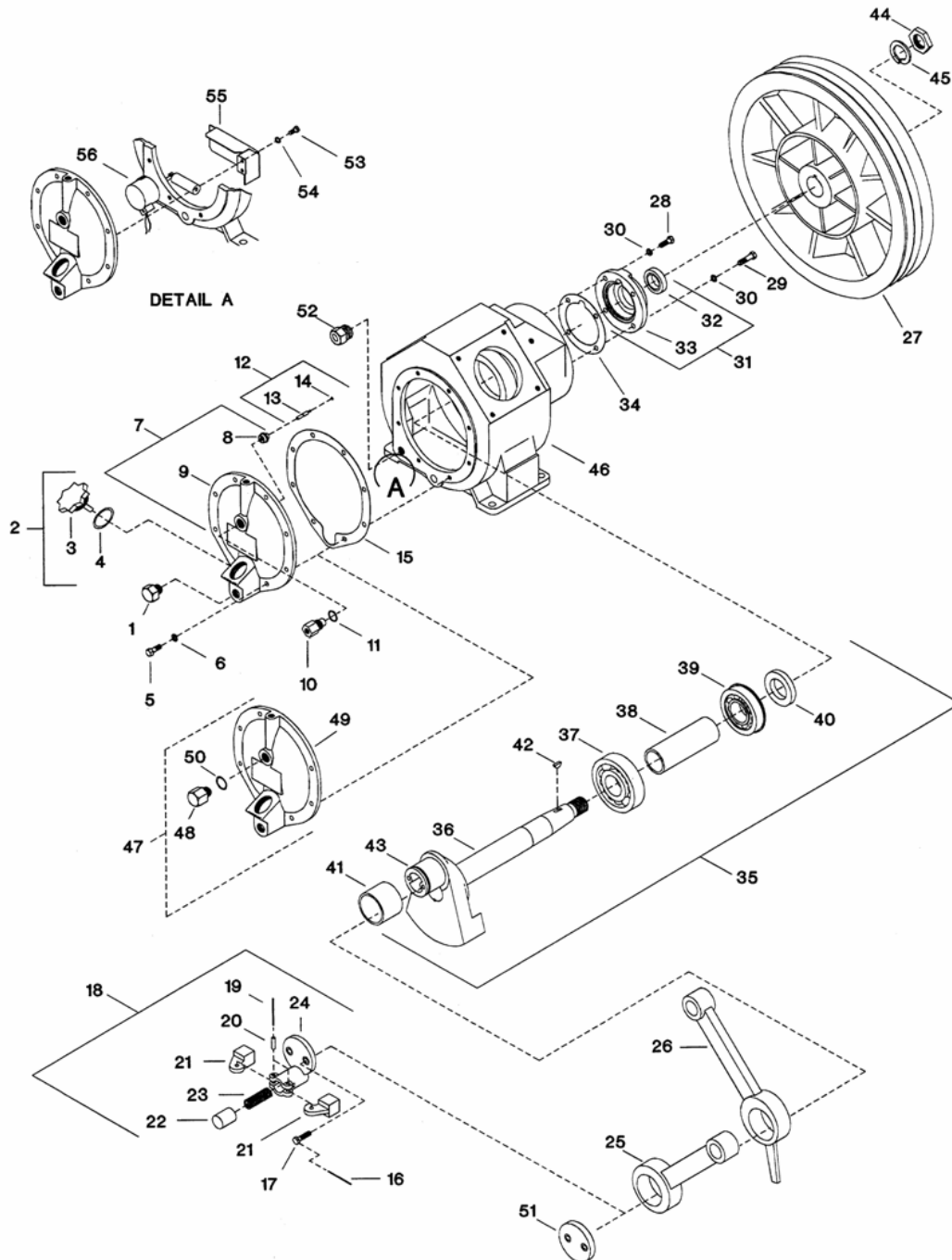


1. COMPRESSOR FRAME ASSEMBLY - MODEL 7100



1. COMPRESSOR FRAME ASSEMBLY - MODEL 7100

| No. | Description | Ref Part No. | QTY |
|------|--|--------------|-----|
| 1-1 | Plug, Pipe - Hex head 1/2" | 95344651 | 1 |
| 1-2 | Plug, Oil Gauge - Complete | 32195083 | 1 |
| 1-3 | – Plug, Oil Gauge | NSS | 1 |
| 1-4 | – O-Ring - Oil Gauge Plug | 95022158 | 1 |
| 1-5 | Capscrew - Hex 3/8 - 16 X 7/8" | 95053146 | 8 |
| 1-6 | Gasket Copper washer - 3/8" | 95674677 | 8 |
| 1-7 | Ass'y, Frame end Cover (Units with Centrifugal Unloader) | 31246572 | 1 |
| 1-8 | – Bushing, Pilot Valve | 37128261 | 1 |
| 1-9 | – Cover, Frame End | NSS | 1 |
| 1-10 | Valve, Pilot (If Supplied) | 37113701 | 1 |
| 1-11 | Washer, Copper | 30346597 | 1 |
| 1-12 | Ass'y Thrust Pin (If supplied) | 32218406 | 1 |
| 1-13 | – Pin, Thrust | NSS | 1 |
| 1-14 | – O-Ring | 95210225 | 1 |
| 1-15 | Gasket, Frame End Cover | 30439277 | 1 |
| 1-16 | Lockwire - 12 GA X5 " | 90799289 | 1 |
| 1-17 | Capscrew -Hex 3/8 - 16 X 1" | 95101929 | 2 |
| 1-18 | Ass'y Crankpin Cap - Centrifugal Unloader | 30290936 | 1 |
| 1-19 | – Lockwire - 12 GA X5 " | 90799271 | 1 |
| 1-20 | – Pin, Centrifugal Unloader weight | 30214951 | 2 |
| 1-21 | – Weight, Centrifugal unloader | 30220875 | 2 |
| 1-22 | – Plunger, Centrifugal Unloader | 30285688 | 1 |
| 1-23 | – Spring, Centrifugal Unloader | 30672281 | 1 |
| 1-24 | – Body, Crankpin Cap | 30210322 | 1 |
| 1-25 | Rod, Connecting - first stage low pressure | 32003659 | 1 |
| 1-26 | Rod, Connecting-Second stage high pressure | 30217327 | 1 |
| 1-27 | Wheel V-Belt | 32177206 | 1 |
| 1-28 | Capscrew - Hex 3/8 - 16 X 7/8" | 95053146 | 2 |
| 1-29 | Capscrew - Hex 3/8 - 16 X 1-1/4" | 95043766 | 2 |
| 1-30 | Gasket Copper washer - 3/8" | 95674677 | 4 |
| 1-31 | Ass'y, Shaft End Cover | 37125333 | 1 |
| 1-32 | – Seal | 32204588 | 1 |
| 1-33 | – Cover, Shaft End | NSS | 1 |
| 1-34 | Gasket, Shaft End Cover | 30295166 | 1 |
| 1-35 | Ass'y, Crankshaft - Complete | 30211627 | 1 |
| 1-36 | – Ass'y, Disc And Shaft | NSS | 1 |
| 1-37 | – Bearing Ball | 95305652 | 1 |
| 1-38 | – Spacer Main Bearing | 30218432 | 1 |

1. COMPRESSOR FRAME ASSEMBLY - MODEL 7100

| No. | Description | Ref Part No. | QTY |
|------|---|--------------|------|
| 1-39 | – Bearing Ball - With Snap ring | 95213971 | 1 |
| 1-40 | – Ring, Bearing Retainer | 30216808 | 1 |
| 1-41 | – Bushing, Crankpin | 37002375 | 1 |
| 1-42 | – Key, woodruff | 95047437 | 1 |
| 1-43 | Loctite 609 -Tube | 32187684 | 5MIL |
| 1-44 | Nut, V- Belt Wheel | 30835698 | 1 |
| 1-45 | Lockwasher, Spring - 1-3/8" | 95064747 | 1 |
| 1-46 | Frame, Compressor | 32270571 | 1 |
| 1-47 | Ass'y, Frame end Cover (Units without Centrifugal Unloader) | 97335749 | 1 |
| 1-48 | Plug, Frame End Cover | 30221311 | 1 |
| 1-49 | – Cover, Frame End | NSS | 1 |
| 1-50 | Washer, 7/8" | 30346597 | 1 |
| 1-51 | Cap, Crankpin (units without Centrifugal Unloader) | 30210348 | 1 |
| 1-52 | Glass, Oil Sight (If Provided) | 97334270 | 1 |
| | Detail A - Low Oil Lever Switch (If Provided) | | |
| 1-53 | Capscrew - Hex 1/4-20 X 1/2" | 95053070 | 2 |
| 1-54 | Lockwasher, Spring - 1/4" | 95043196 | 2 |
| 1-55 | Baffle, Low Oil Level Switch | 30285548 | 1 |
| 1-56 | Switch, Low Oil Level Nema 1 | 32276313 | 1 |