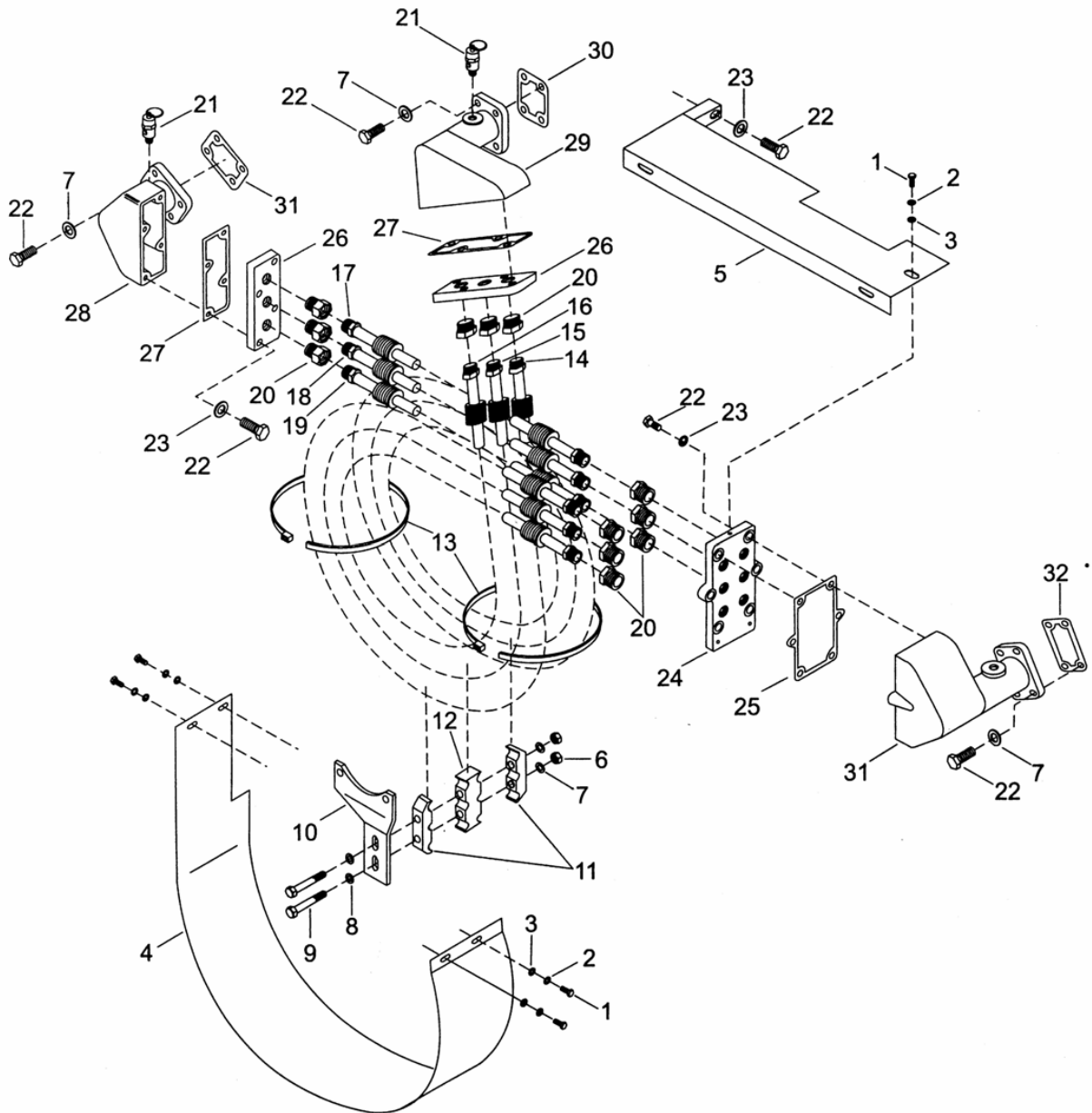


7. INTERCOOLER & SHROUD ASSEMBLY - MODEL 3000



7. INTERCOOLER & SHROUD ASSEMBLY - MODEL 3000

No.	Description	Ref Part No.	QTY
7-1	Capscrew, Hex Head - 1/4-20 X 1/2"	95053070	5
7-2	LockWasher, Spring -1/4"	95043196	5
7-3	Washer, Flat -1/4"	95094298	5
7-4	Shroud, Intercooler	32177693	1
7-5	Top, Shroud	32180713	1
7-6	Nut, Hex -3/8-16	95077764	2
7-7	LockWasher, Spring -3/8"	95081857	14
7-8	Washer, Flat -3/8"	95069597	2
7-9	Capscrew, Hex Head - 3/8-16 X 4"	95002895	2
7-10	Bracket, Intercooler	32175515	1
7-11	Clamp, Intercooler Tube - Outer	32165367	2
7-12	Clamp, Intercooler Tube - Center	32165383	1
7-13	Tie, Cable	95370888	2
7-14	Assembly, Intercooler Tube - Finned -#3	32197006	1
7-15	Assembly, Intercooler Tube - Finned -#2	32196990	1
7-16	Assembly, Intercooler Tube - Finned -#1	32196982	1
7-17	Assembly, Intercooler Tube - Finned -#3	32196974	1
7-18	Assembly, Intercooler Tube - Finned -#2	32196966	1
7-19	Assembly, Intercooler Tube - Finned -#1	32196958	1
7-20	Connector, Male - 5/8 X 1/2"	95083226	12
7-21	Valve, Relief - 80 PSIG	72062185	2
7-22	Capscrew, Hex Head -3/8-16 X 1"	95079612	27
7-23	Lockwasher, Spring - 3/8"	95081857	15
7-24	Flange, Intercooler - High Pressure	32180697	1
7-25	Gasket, Flange - High Pressure	32160566	1
7-26	Flange, Intercooler - Low Pressure	32160475	2
7-27	Gasket, Flange - Low Pressure	32160558	2
7-28	Manifold, Intercooler - #1 Low Pressure	32160491	1
7-29	Manifold, Intercooler - #2 Low Pressure	32160509	1
7-30	Gasket, Manifold - Low Pressure	32153801	2
7-31	Manifold, Intercooler - High Pressure	32164519	1
7-32	Gasket, Manifold - High Pressure	32153827	1