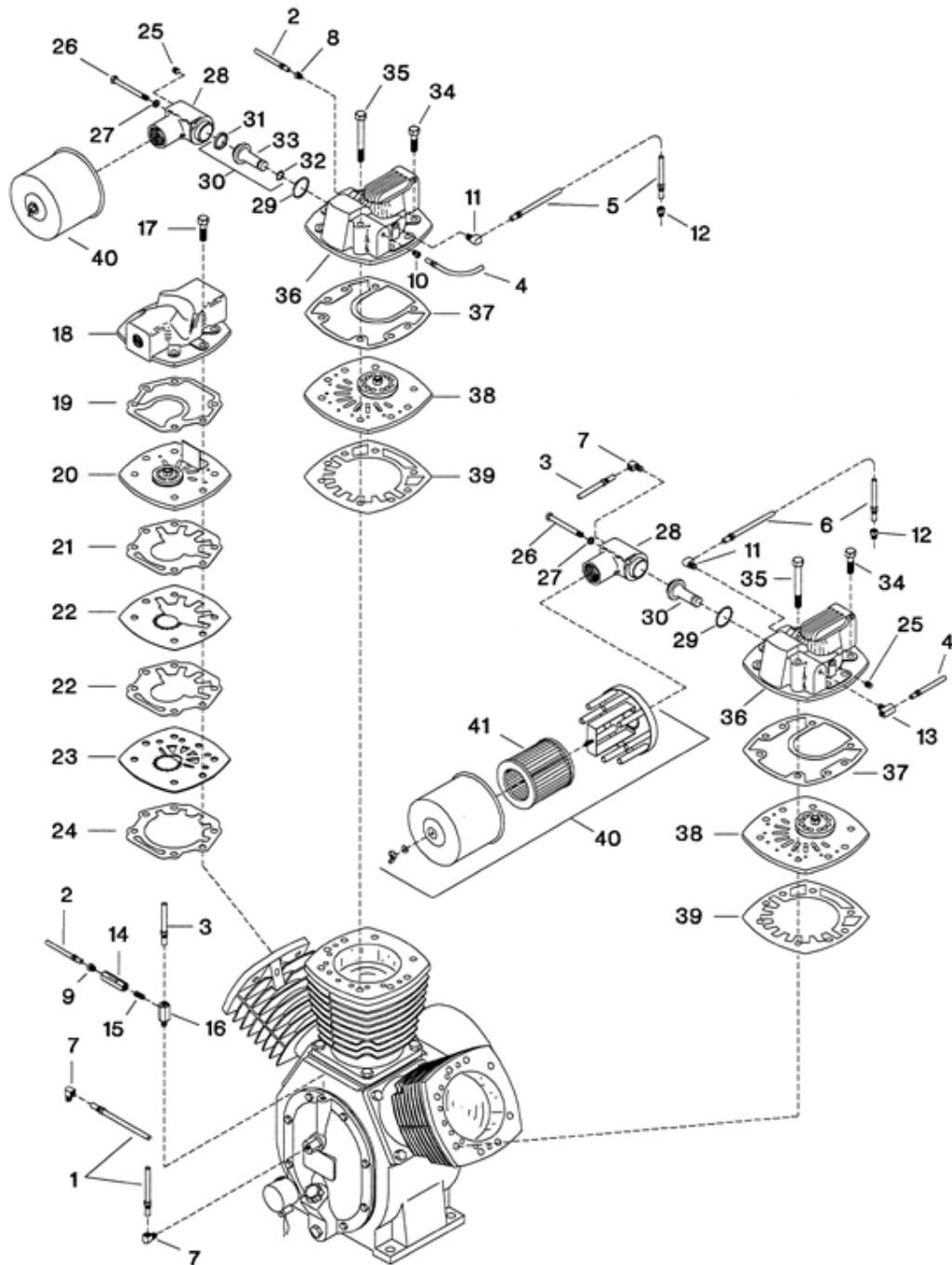


## 2. BARE COMPRESSOR - MODEL 3000



## 2. BARE COMPRESSOR - MODEL 3000

No.	Description	Ref Part No.	QTY
2-1	Assembly, Tube -Pilot Valve/Intetcooler - 5/16" Dia.	32172751	1
2-2	Assembly, Tube -Check Valve/Center Head -5/16" Dia.	32200503	1
2-3	Assembly, Tube -Check Valve/Right-Hand Head -5/16"	32203432	1
2-4	Assembly, Tube -Center Head/Tee -5/16" Dia.	32183303	1
2-5	Assembly, Tube -Breather/Center Head - 3/8" Dia.	32176695	1
2-6	Assembly, Tube -Breather/Right-Hand Head -3/8" Dia.	32172777	1
2-7	Elbow, Tube - 5/16 X 1/4"	95110441	3
2-8	Connector, Male - 5/16 X 1/4"	32157554	1
2-9	Connector, Tube - 5/16 X 1/8"	95082483	1
2-10	Orifice, Connector - Tube	37144508	1
2-11	Elbow, Tube - 3/8 X 1/4"	95040143	2
2-12	Connector, Male - 3/8" X 1/4"	95083143	2
2-13	Tee, Unloader Orifice	32255721	1
2-14	Valve, Check	32001141	1
2-15	Nipple, Close - 1/8" X 3/4"	95796017	1
2-16	Connector, Tube - 5/16 X 1/4" Male Long	32203242	1
2-17	Capscrew, Hex - 1/2-13 X 2"	95104196	6
2-18	Head, Second Stage (High Pressure)	32172199	1
2-19	Gasket, Head - Second Stage	32252801	1
2-20	Assembly, Valve Plate - Second Stage (See Fig. C)	REF.	1
2-21	Gasket, Spacer Plate - Second Stage	32252819	2
2-22	Plate, Spacer - Second Stage	32228280	1
2-23	Plate, Disc - Second Stage	32228272	1
2-24	Gasket, Valve Plate - Second Stage	32252827	1
2-25	Plug, Pipe - Hex Head - 1/4"	95252409	2
2-26	Capscrew, Hex - 5/16-18 X 3-3/4"	95035259	4
2-27	Lockwasher, Spring - 5/16"	95043188	4
2-28	Cover, Unloader	32174336	2
2-29	O-Ring	95026183	2
2-30	Assembly, Unloader Piston	32256257	2
2-31	- Seal, Unloader Piston	32254740	1
2-32	- O-Ring, Unloader Piston	32188385	1
2-33	- Piston, Unloader	NSS	1
2-34	Capscrew - Hex 1/2-13 X 1-3/4"	95104188	14
2-35	Capscrew - Hex 1/2-13 X 4-1/4"	95104279	2
2-36	Head, First Stage (Low Pressure)	32172207	2
2-37	Gasket, Head - First Stage	32267502	2
2-38	Assembly, Valve Plate - First Stage (See Fig. D)	REF.	2

## 2. BARE COMPRESSOR - MODEL 3000

No.	Description	Ref Part No.	QTY
2-39	Gasket, Valve Plate - First Stage	32267510	2
2-40	Filter, Inlet - Complete	32109779	2
2-41	- Element, Filter - 10 Micron	32012957	2