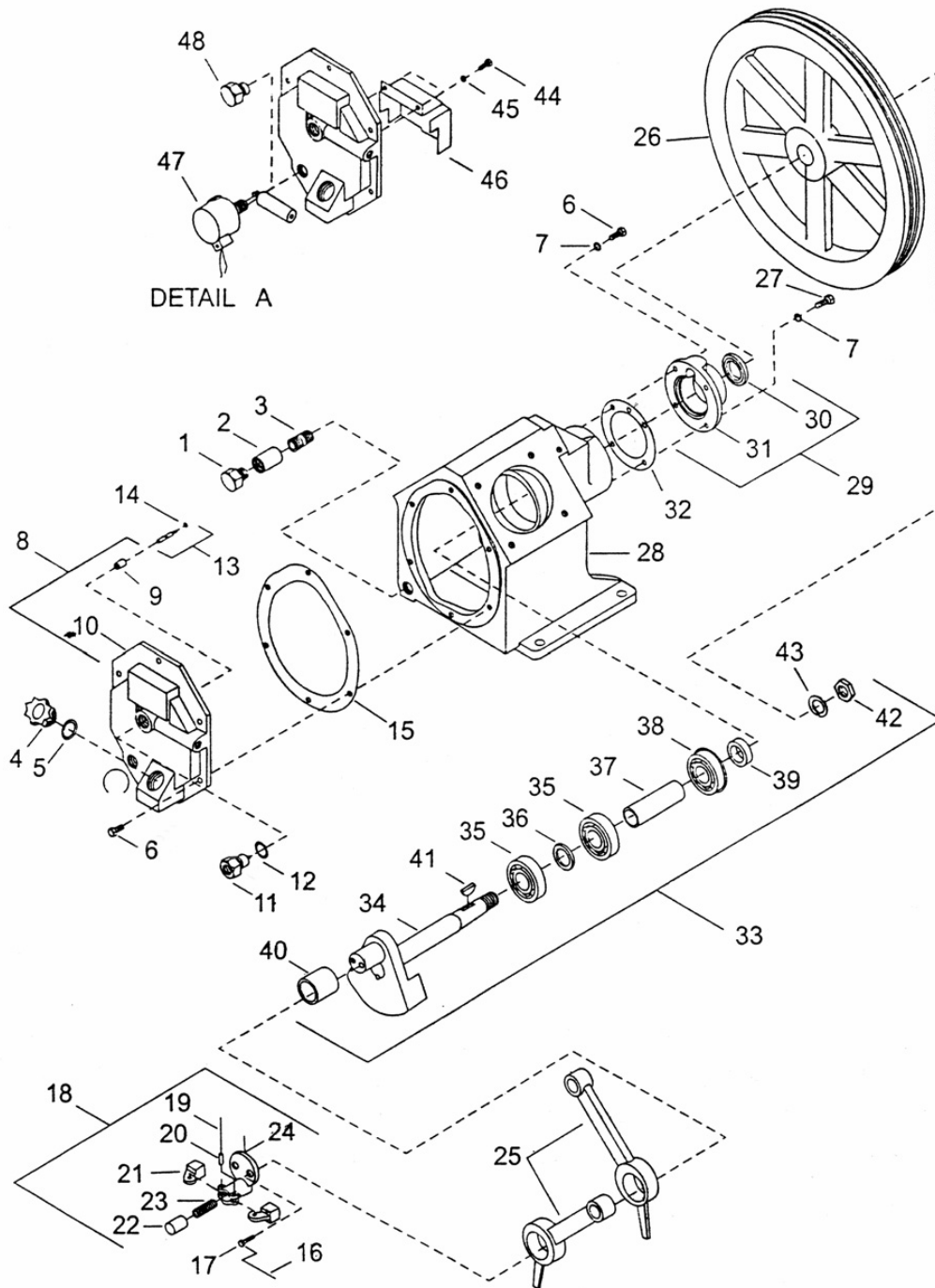


1. COMPRESSOR PUMP ASSEMBLY - MODEL 2545



1. COMPRESSOR PUMP ASSEMBLY - MODEL 2545

No.	Description	Ref Part No.	QTY
1-1	Plug, Pipe - Hex Head 1/2"	95344651	1
1-2	Coupling, Pipe - 1/2"	32179061	1
1-3	Nipple, Pipe	95273330	1
1-4	Plug, Oil Fill	32247843	1
1-5	O-Ring, Oil Fill Plug	32247850	1
1-6	Capscrew, Hex - 5/16 -18 X 1"	95105250	8
1-7	Washer, Copper	95674651	2
1-8	Assembly, Frame End Cover	32293938	1
1-9	– Bushing, Pilot Valve	37127057	1
1-10	– Cover, Frame End	NSS	1
1-11	Valve, Pilot	37113701	1
1-12	Washer, Copper - 7/8"	30346597	1
1-13	Assembly, Thrust Pin	32028698	1
1-14	– O-Ring, Thrust Pin	95210225	1
1-15	Gasket, Frame End Cover	32294035	1
1-16	Lockwire, 12 Gauge - 5"	90799289	1
1-17	Capscrew, Lock -3/8-16 X 7/8"	30278667	2
1-18	Assembly, Crankpin Cap	30289110	1
1-19	– Lockwire - 12 Gauge - 4"	32006587	1
1-20	– Pin, Centrifugal Unloader Weight	30215008	2
1-21	– Weight, Centrifugal Unloader	30221725	2
1-22	– Plunger, Centrifugal Unloader	30216113	1
1-23	– Spring, Centrifugal Unloader	30416978	1
1-24	– Body, Crankspin Cap	30210447	1
1-25	Rod, Connecting	32198160	2
1-26	Beltwheel	32496440	1
1-27	Capscrew - Hex 5/16-18 X 1-1/4"	95079984	2
1-28	Frame, Compressor	32203192	1
1-29	Assembly, Shaft End Cover	32498008	1
1-30	– Seal, Oil	32497810	1
1-31	– Cover, Shaft End	NSS	1
1-32	Gasket, Shaft End Cover	32294027	1
1-33	Assembly, Crankshaft	32294431	1
1-34	– Assembly, Disc and Shaft	NSS	1
1-35	– Bearing, Ball	95200770	2
1-36	– Spacer, Inner Bearing	32203218	1
1-37	– Spacer, Outer Bearing	32203226	1
1-38	– Bearing, Ball - With Snap Ring	95305546	1

1. COMPRESSOR PUMP ASSEMBLY - MODEL 2545

No.	Description	Ref Part No.	QTY
1-39	– Ring, Bearing Retainer	37127941	1
1-40	– Bushing, Crankpin	30210165	1
1-41	– Key, Woodruff	95433173	1
1-42	– Nut, Beltwheel -7/8 -14	95098315	1
1-43	– Lockwasher, Spring -7/8"	95043162	1
	DETAIL A		
1-44	Capscrew - Hex 1/4-20 X 1/2"	95053070	2
1-45	Lockwasher, Spring - 1/4"	95043196	2
1-46	Baffle, Low Oil Level Switch	32270654	1
1-47	Switch, Low Oil Level	32276313	1
1-48	Oil, Sightglass (If Low Oil Level Switch is not Used)	97330245	1