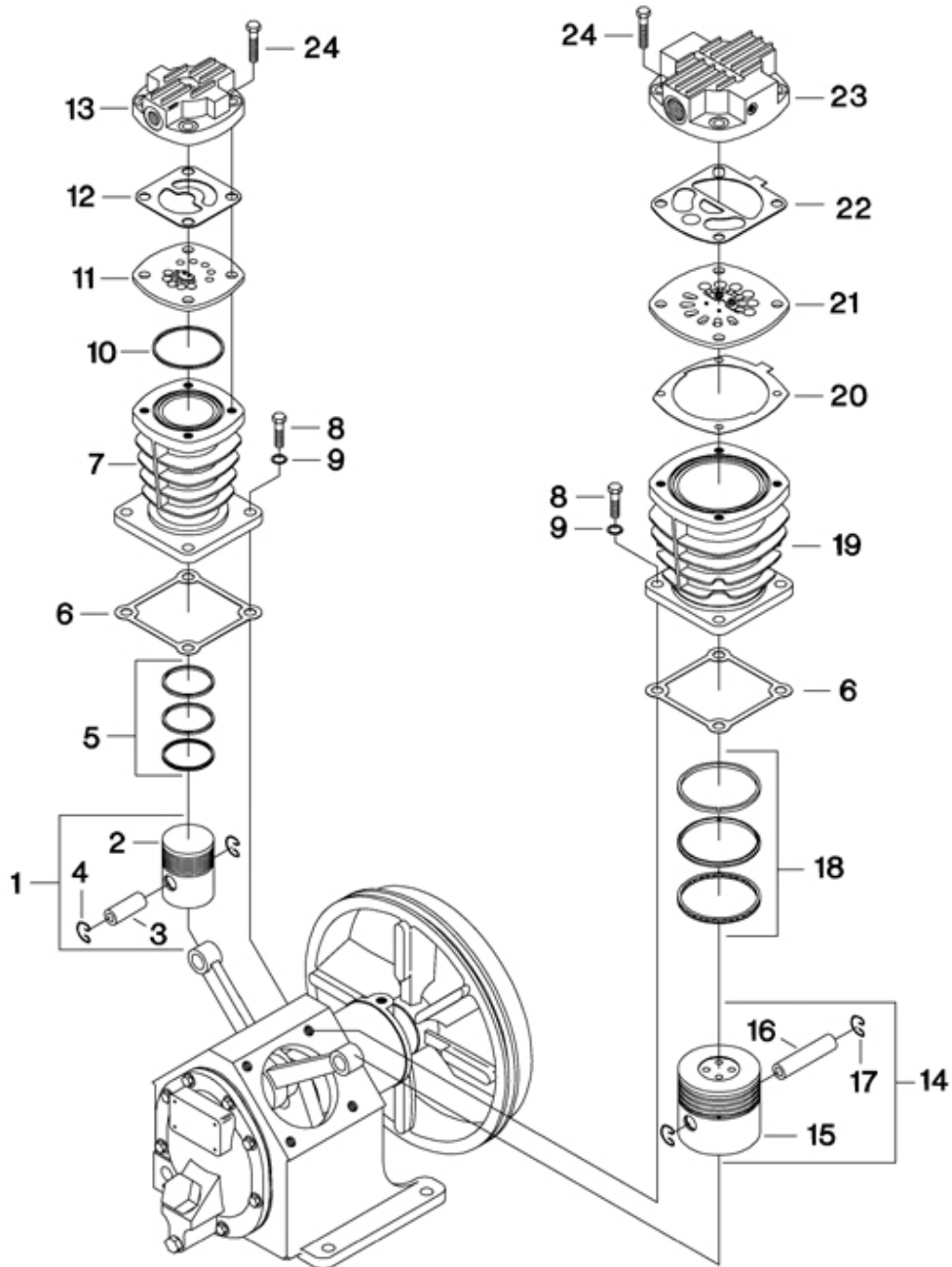


4. BARE COMPRESSOR - MODEL 2475



4. BARE COMPRESSOR - MODEL 2475

No.	Description	Ref Part No.	QTY
4-1	Piston, Air - Complete - 2.5" High Pressure	32496598	1
4-2	– Piston - Air -2.5"	NSS	1
4-3	– Pin, Piston	30287783	1
4-4	– Ring, Lock	30298020	2
4-5	Set, Piston Ring - 2.5"	32307910	1
4-6	Gasket, Cylinder/Flange	32247868	2
4-7	Cylinder - 2.5" - High Pressure	32247652	1
4-8	Capscrew, Hex - 1/2-13 X 1-1/4"	95053567	8
4-9	Gasket, Copper - 1/2"	95674701	8
4-10	O-Ring, Valve Plate - High Pressure	32246878	1
4-11	Assembly, Valve Plate - High Pressure(Fig.2)	32310799	1
4-12	Gasket, Airhead - High Pressure	32247926	1
4-13	Airhead - High Pressure	32247827	1
4-14	Piston, Air-Complete- 4" Low Pressure	32496564	1
4-15	– Piston - Air -4"	NSS	1
4-16	– Pin, Piston	30288393	1
4-17	– Ring, Lock	30298020	2
4-18	Set, Piston Ring - 4"	32307928	1
4-19	Cylinder - 4" - Low Pressure	32293540	1
4-20	Gasket, Valve Plate - Low Pressure	32248197	1
4-21	Assembly, Valve Plate - Low Pressure(Fig.3)	32248205	1
4-22	Gasket, Airhead - Low Pressure	32248189	1
4-23	Airhead - Low Pressure	32293557	1
4-24	Capscrew, Hex - 1/2-13 X 1-3/4"	95104188	8