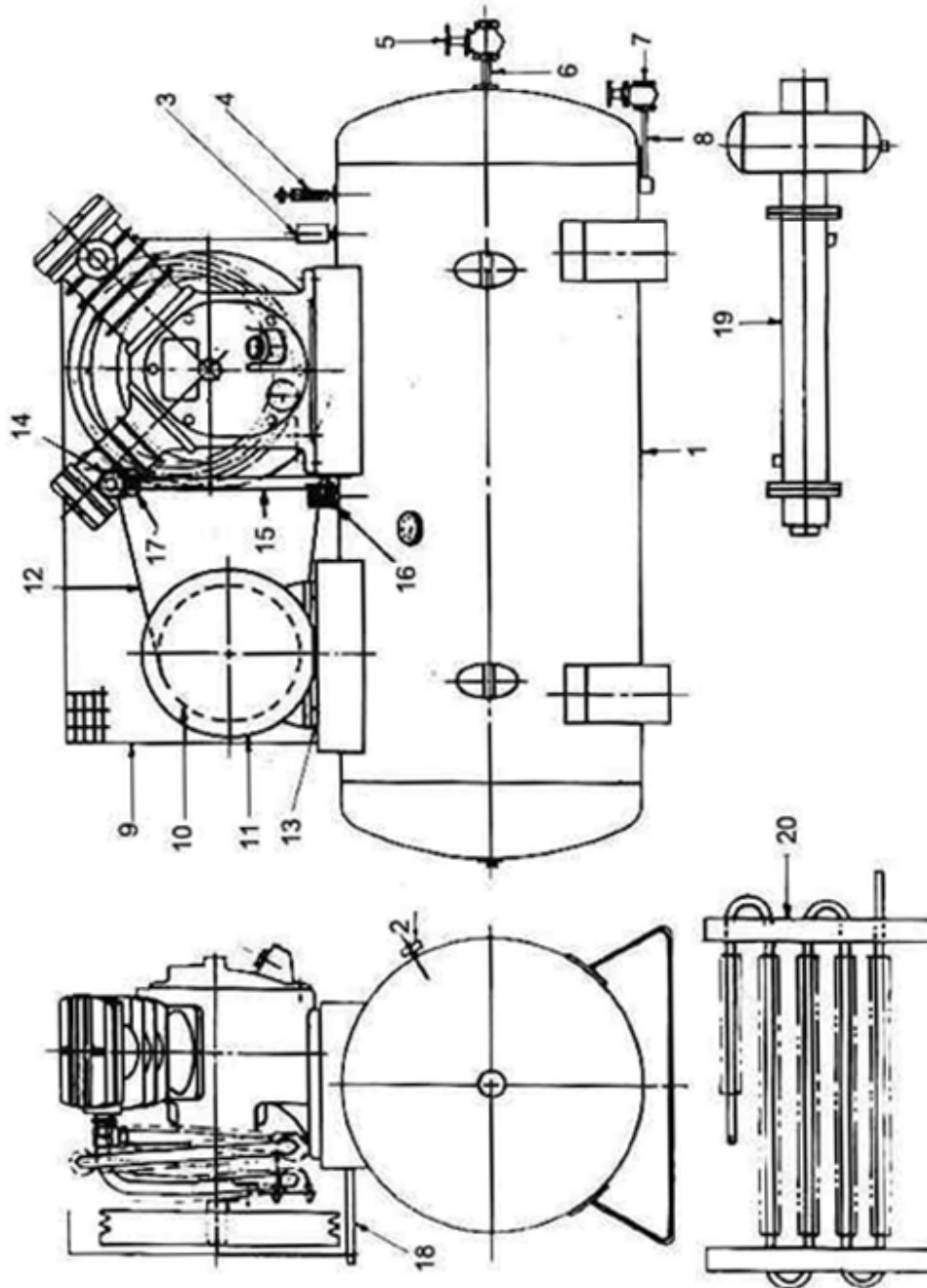


5. COMPRESSOR DRIVE & ACCESSORIES - MODEL 242



5. COMPRESSOR DRIVE & ACCESSORIES - MODEL 242

No.	Description	Ref Part No.	QTY
5-1	Air Receiver 175 Ltr.Max W.PR.175	94464120	1
5-1	Air Receiver 175 Ltr.Max W.PR. 270	94464161	1
5-1	Air Receiver 225 Ltr.Max W.PR. 175	97056113	1
5-1	Air Receiver 225 Ltr.Max W.PR. 270	97056121	1
5-2	Pressure Gauge 0-300 PSIG	95736922	1
5-3	PR. Switch Up To 135 PSIG	94465176	1
5-3	PR. Switch Above 135 PSIG	94465184	1
5-4	Safety Valve	72062078	1
5-5	Service Valve 1/2"	95081048	1
5-6	Nipple Pipe 1/2"	95062600	1
5-7	Drain Valve 1/4"	95081022	1
5-8	Nipple Pipe 1/4"	95736542	1
5-9	Belt Guard	97044556	1
5-10	Motor Pulley For 866 RPM	97043590	1
5-10	Motor Pulley For 855 RPM	97043608	1
5-10	Motor Pulley For 960 RPM	97043772	1
5-10	Motor Pulley For 960 RPM	97054779	1
5-11	Motor Elec.5 HP	97055800	1
5-11	Motor Elec.7.5 HP	97051742	2
5-12	"V" Belts A76	97044283	2
5-12	"V" Belts A78	97044283	2
5-13	Slide Rail 14 Inch	97044127	2
5-14	Elbow Tube	95031761	2
5-15	Pipe Discharge	97045454	1
5-16	Check Valve	37047773	1
5-17	Nut Connector	95108577	2
5-18	Distance Piece Belt Guard	97043329	2
	Optional Equipment		
5-19	Water Cooled After Cooler With M.S.	97045546	1
5-20	Air Cooled After Cooler	97045645	1
5-15	Pipe Discharge	97045454	1
5-16	Check Valve	37047773	1
5-17	Nut Connector	95108577	2
5-18	Distance Piece Belt Guard	97043329	2
	Optional Equipment		
5-19	Water Cooled After Cooler With M.S.	97045546	1
5-20	Air Cooled After Cooler	97045645	1