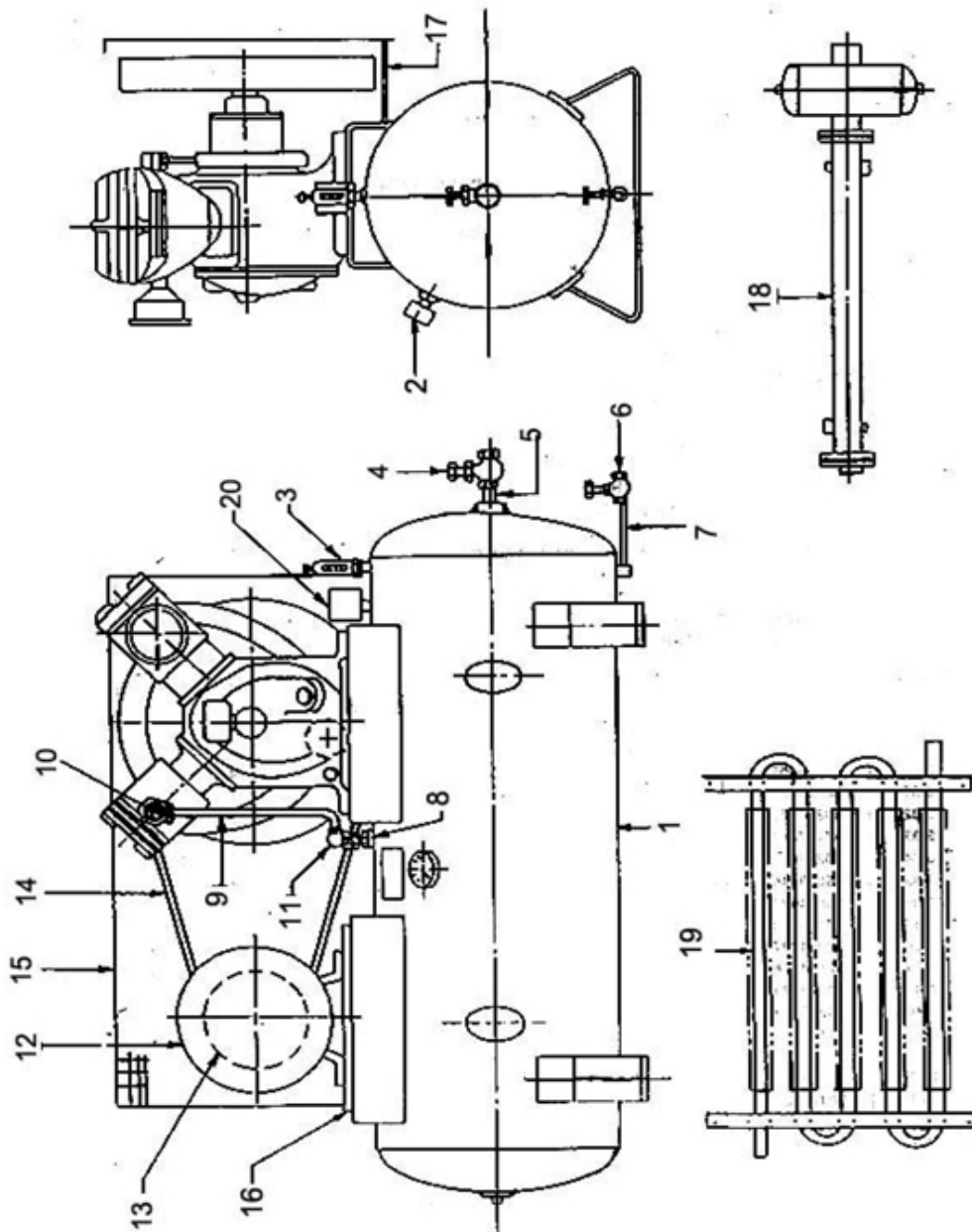


4. Compressor Drive - Air Receiver & Accessories - Model 234



4. Compressor Drive - Air Receiver & Accessories - Model 234

No.	Description	Ref Part No.	QTY
4-1	Receiver 150 Ltr Max working PR 175	97056048	1
4-1	Receiver 150 Ltr Max working PR 270	97056097	1
4-1	Receiver 225 Ltr Max working PR 175	97056113	1
4-1	Receiver 225 Ltr Max working PR 270	97056121	1
4-2	Pressure Gauge 0 300 PSIG	95736922	1
4-3	Safety Valve	72062078	1
4-4	Service Valve - 1/2"	95081048	1
4-5	Nipple Pipe - 1/2"	95062600	1
4-6	Drain Valve - 1/4"	95081022	1
4-7	Nipple Pipe - 1/4"	95736542	1
4-8	Check Valve	37047773	1
4-9	Pipe Discharge 1/2 X 15 1/2"	97045389	1
4-10	Nut Connector	95227260	2
4-11	Elbow Tube	95040184	2
4-12	Motor Electric	-	1
4-13	Motor Pulley 660 RPM	97043293RB	1
4-13	Motor Pulley 960 RPM	97043749RB	1
4-14	V' Belt for 660 RPM	92396233	2
4-14	V' Belt for 960 RPM	97044218	2
4-15	Belt Guard	97044549	1
4-16	Slide Rail 12"	97044101	2
4-17	Distance Piece Belt Guard	97042295	2
	Optional Equipment		
4-18	Watercooled Aftercooler	97045595	1
4-18	Watercooled Aftercooler with Moisture Separator	97045603	1
4-19	Aircooled Aftercooler	RIN300534	1
4-20	Super Pressure Switch 100-213P	156A12XPS15B	1
4-20	Pressure Switch H.P	IPS400	1
REF	Aux Valve For C.S.C	48XXA1AL	1
REF	Spring Aux Valve	30673347	1
REF	Bolt Foundation 1/2"	WIN300579T2	4