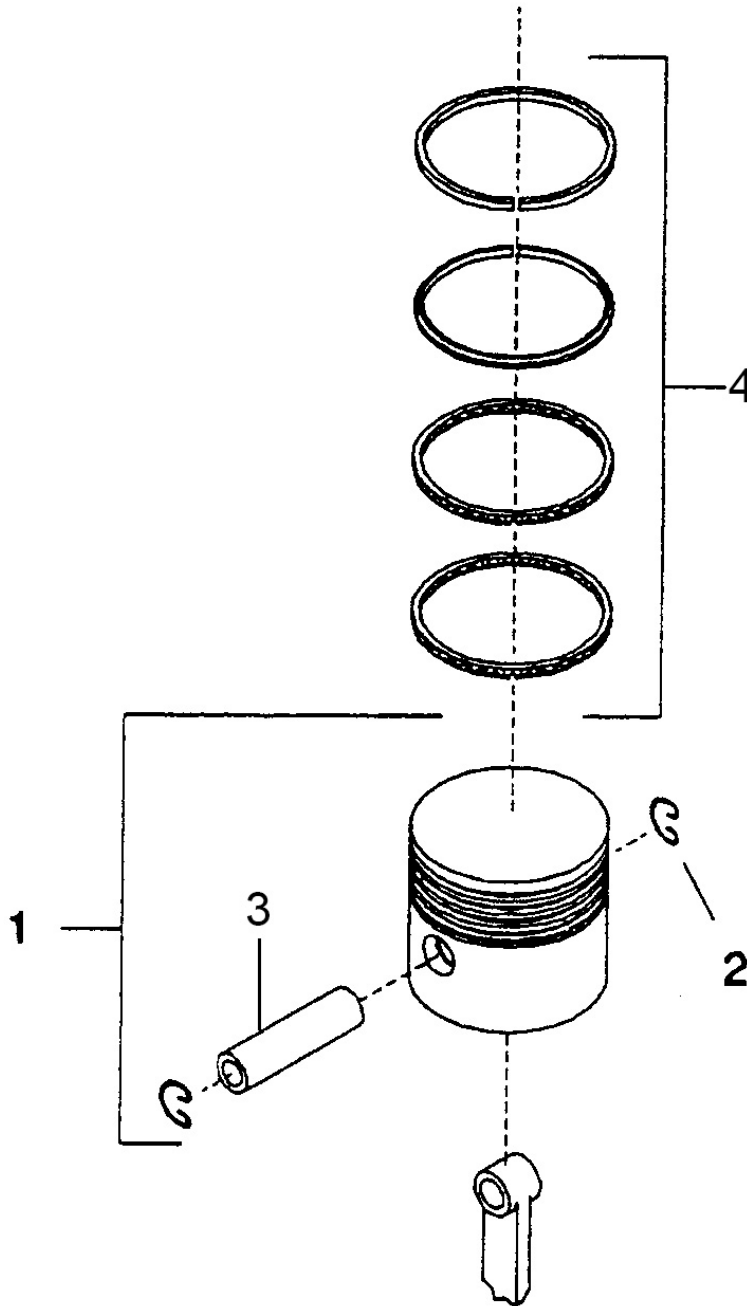


5. PISTON & RING ASSEMBLY 5.5 INCH - MODEL 15T2



5. PISTON & RING ASSEMBLY 5.5 INCH - MODEL 15T2

No.	Description	Ref Part No.	QTY
6-1	Piston Pin Assembly 5.5"	30215222	1
6-2	– Ring Lock	30288450	2
6-3	– Pin Piston	30288427	1
6-4	Set Piston Ring 5.5" LP	32194144	1