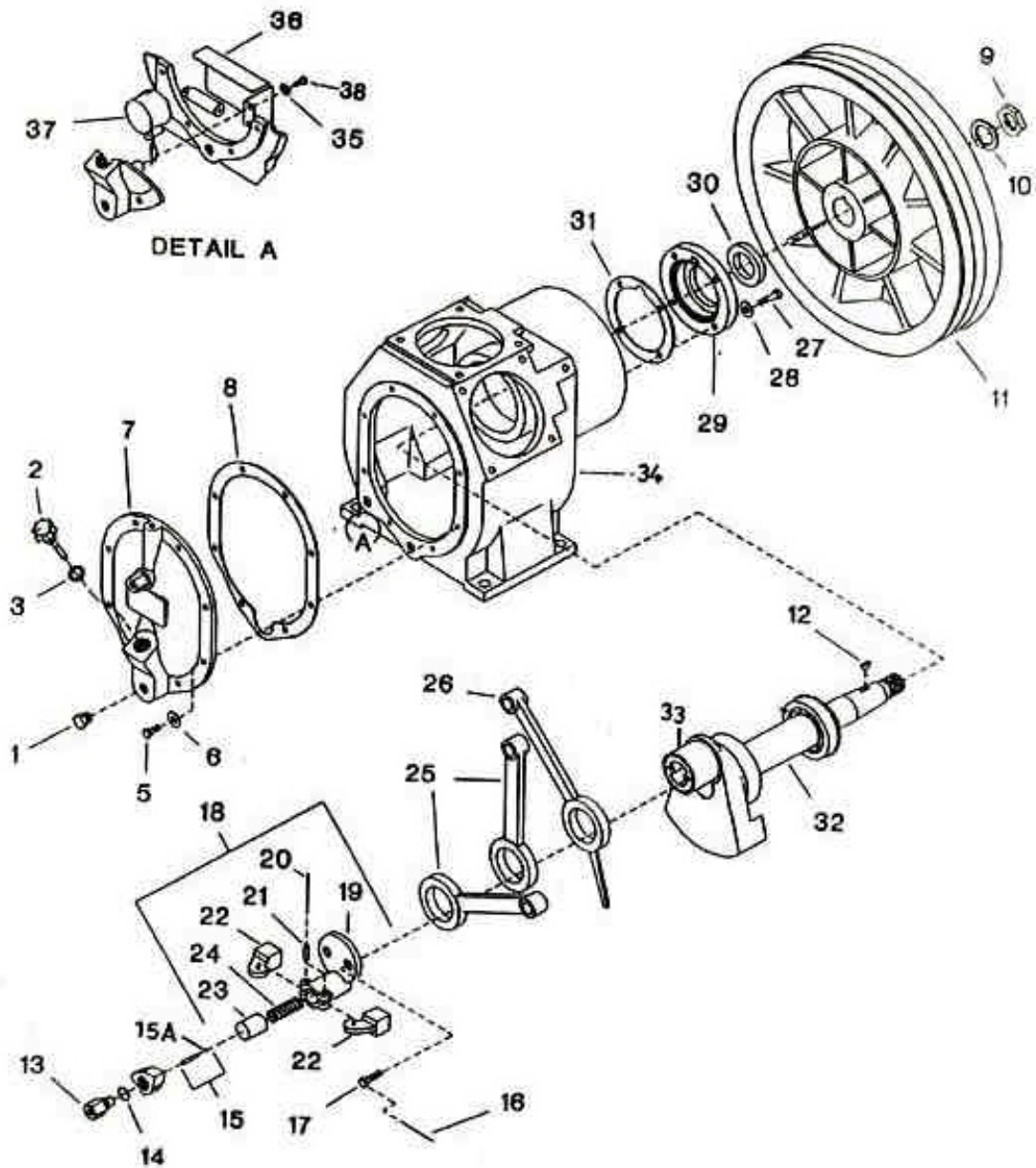


1. COMPRESSOR FRAME ASSEMBLY - MODEL 15T2



1. COMPRESSOR FRAME ASSEMBLY - MODEL 15T2

No.	Description	Ref Part No.	QTY
2-1	Plug Pipe Hex Head 1/2"	95344651	1
2-2	Plug Oil Filler - Complete	30289003	1
2-3	– O Ring	95018149	1
2-5	Capscrew Hex 3/8" X 1"	95035333	8
2-6	Gasket - Copper Washer	95674677	8
2-7	Cover, Frame End	37128089	1
2-8	Gasket, Frame End Cover	30439285	1
2-9	Nut - Hex 1-3/8 UNF	30287668	1
2-10	Lockwasher, Spring 1-3/8	95265690	1
2-11	Wheel, V-Belt	32177180	1
2-12	Key, Woodruff	95083721	1
2-13	Valve, Pilot	37113701	1
2-14	Washer, Copper	30346597	1
2-15	Pin Assly., Thrust	32218406	1
2-15A	O Ring	95022695	1
2-16	Lockwire, 20 GAX5"	32061293	1
2-17	Capscrew Hex-3/8-16X1"	95101929	2
2-18	Cap Assembly, Crankpin	30210272	1
2-19	– Body, Crankpin	30210322	1
2-20	– Lockwire 18 GAX5"	90799271	1
2-21	– Pin Centrifugal Unloader Weight	30214951	2
2-22	– Weight, Centri-fugal Unloader	30220875	2
2-23	– Plunger, Centri-fugal Unloader	30285688	1
2-24	– Spring, Centri-fugal Unloader	30815898	1
2-25	Rod, Connecting	32003659	2
2-26	Rod, Connecting	32003642	1
2-27	Capscrew Hex 3/8 x 1"	95035333	4
2-28	Gasket - Copper Washer	95674677	4
2-29	Cover, Shaft End	32301582	1
2-30	Seal, Oil Viton O.D.	32204596	1

1. COMPRESSOR FRAME ASSEMBLY - MODEL 15T2

No.	Description	Ref Part No.	QTY
2-31	Gasket - Shaft End Cover	30294961	1
2-32	Crankshaft Assembly with Bearing+Key+Nut	70240933	1
2-32A	Crankshaft Assembly with Brg.	32314379	1
2-33	Bush Crankpin	32295875	1
2-34	Frame Compressor	32270621	1
	Detail A		
2-35	Washer, Spring - 1/4-20 1/2	32035479	2
2-36	Baffle, Low Oil Level Switch	32304347	1
2-38	Capscrew Hex 1/4 - 20 X 1/2	65053070	1
	Optional Equipment		
2-37	Switch Low Oil Level	70235262	1
2-38	Plug, Pipe Hex Head 3/4 NPT	95200333	1