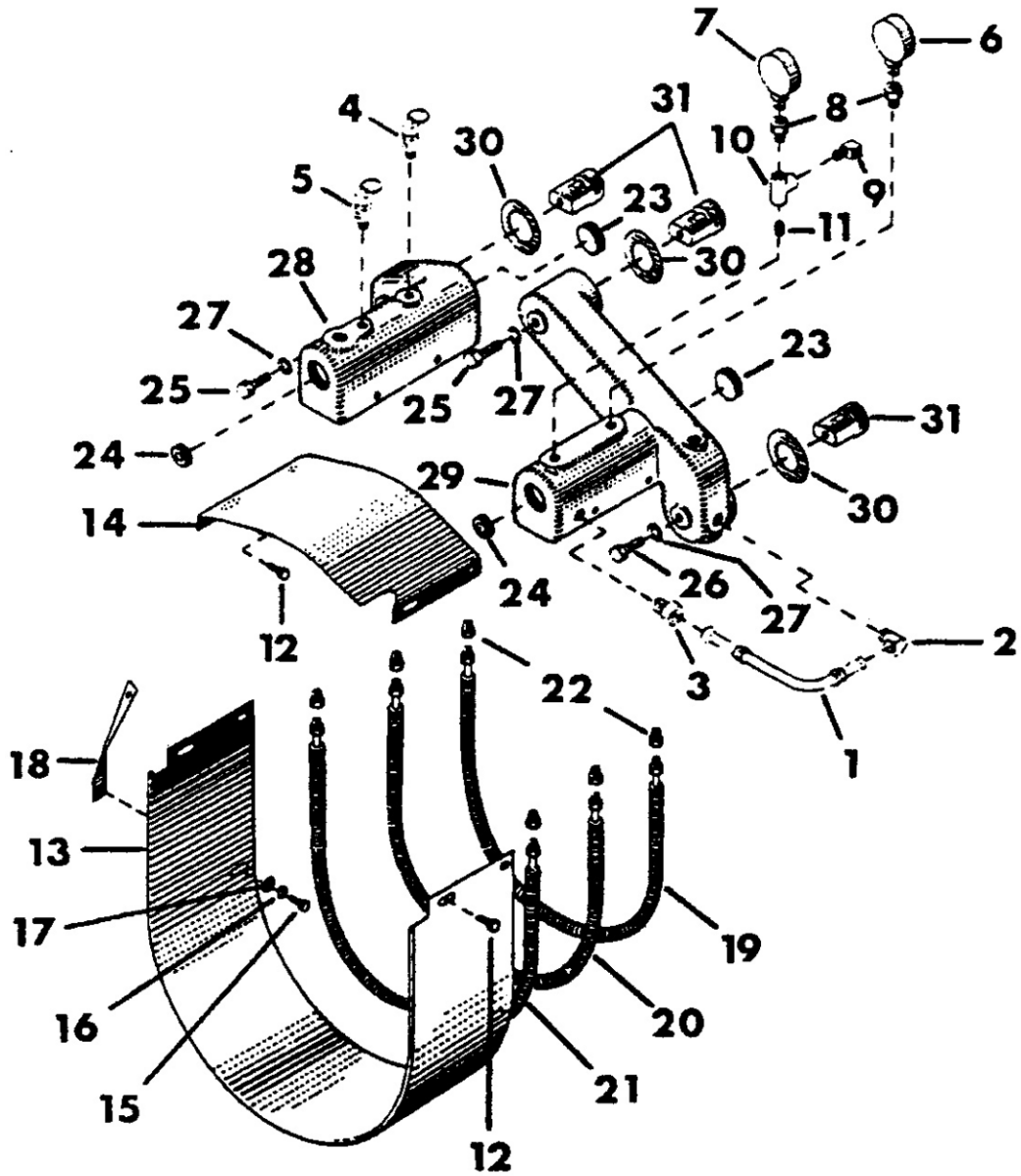


## 9. INTERCOOLER ASSEMBLY - MODEL 15T2



## 9. INTERCOOLER ASSEMBLY - MODEL 15T2

No.	Description	Ref Part No.	QTY
10-1	Assembly, Tube - Intercooler/3rd Stage	37131109	1
10-2	Elbow, Tube - 3/4 X 3/4	95031761	1
10-3	Connector, Tube 3/4 X 3/4	95083275	1
10-4	Valve, Safety - 60 PSIG	97048094	1
10-5	Valve, Safety - 260 PSIG	72062102	1
10-6	Gauge, Pressure -100 PSIG (32127896)	95736898	1
10-7	Gauge, Pressure -300 PSIG(32013898)	95736922	1
10-8	Damper Assembly - Pulsation	30282396	2
10-9	Elbow, Tube - 1/4	95110441	1
10-10	Tee, Pipe -1/4	95006524	1
10-11	Nipple, Close - 1/4 X 7/8	95426714	1
10-12	Capscrew - Hex 1/4-20 X 1/2	95053070	8
10-13	Shroud, Inter - Cooler, Bottom	30218283	1
10-14	Shroud, Inter - Cooler, Top	30218275	1
10-15	Capscrew-Hex 1/4-20 X 1/2	95053070	1
10-16	Washer, Flat - 1/4	95094298	1
10-17	Lockwasher, Spring - 1/4	95043196	1
10-18	Brace, Inter - Cooler Shroud	30209829	1
10-19	Tube Assembly, Finned -36"	32024697	7
10-20	Tube Assembly, Finned -38 - 3/4"	32025678	5
10-21	Tube Assembly, Finned -41 -1/2"	32025686	7
10-22	Connector, Male - 3/8 X 1/4"	95083143	38
10-23	Plug, Square Countersunk -1-1/4"	95033338	2
10-24	Plug, Square Countersunk -1	95033338	2
10-25	Capscrew-Hex 5/8-11 X 2-1/4	95043808	1
10-26	Capscrew-Hex 5/8-11 X 2-1/2	95002168	2
10-27	Washer, Flat - 5/8	30345185	3
10-28	Manifold, Intercooler	37129038	1
10-29	Manifold, Intercooler	37129046	1
10-30	Gasket, Manifold	30294870	3
10-31	Connection, Manifold	30221121	3