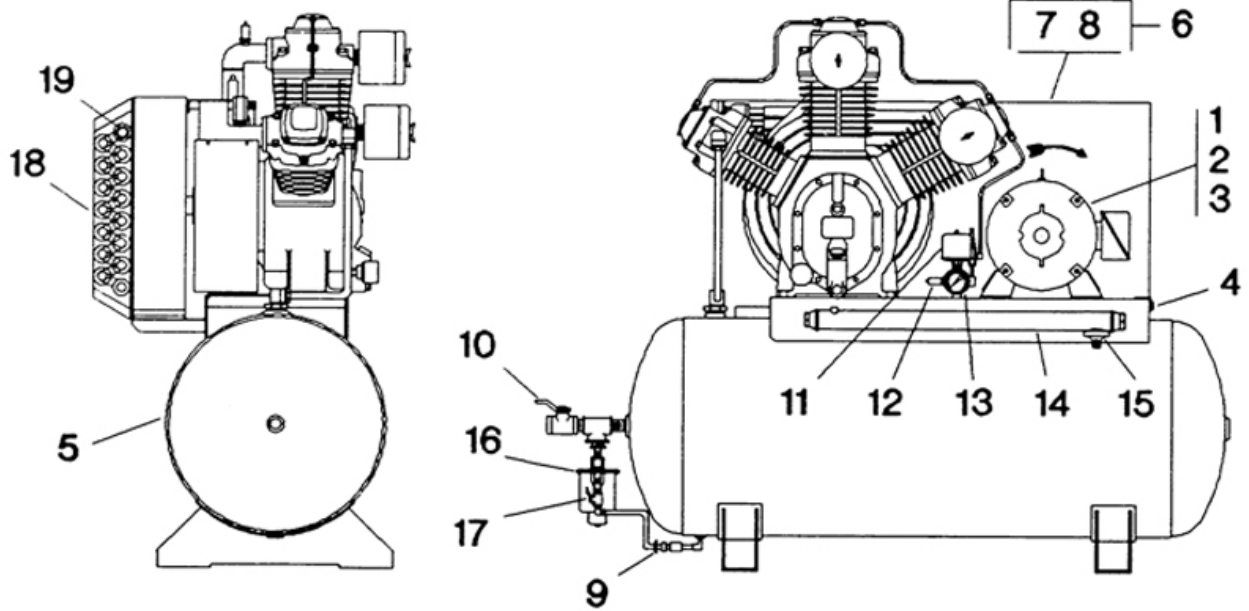


6. TYPICAL COMPRESSOR DRIVE, AIR RECEIVER & ACCESSORIES - MODEL 15T



6. TYPICAL COMPRESSOR DRIVE, AIR RECEIVER & ACCESSORIES - MODEL 15T

No.	Description	Ref Part No.	QTY
6-1	Motor, electric		1
6-2	Pulley, motor		1
6-3	Belt, "V" (15 HP)	95100541	3
6-3	Belt, "V" (20 & 25 HP)	95100558	3
6-4	Tightener, belt - complete	32188708	1
6-5	Receiver assly-120 gal.horizontal - 200 psig	32162406	1
6-5	Receiver assly-120 gal.horizontal - 260 psig	32162414	1
6-6	Beltguard - complete	32002529	1
6-7	– Back, beltguard	32003410	1
6-8	– Cover, beltguard	32003329	1
6-9	Valve, mannual drain	32027120	1
6-10	Valve, ball - 1' M/F (Service valve)	32180242	1
6-11	Switch, pressure - nema 1 200 psig	37005907	1
6-11	Switch, pressure - nema 1 250 psig	37005923	1
6-12	Valve, safety - 200 psig (receiver)	31385693	1
6-12	Valve, safety - 260 psig (receiver)	32174799	1
6-13	Guard, pressure - 300 psig	32013872	1
6-14	Aftercooler, water cooled	32146235	1
6-15	Valve, automatic water	35229723	1
6-16	Trap, auto drain	32005282	1
6-17	Valve, ball - 1/4'	32180200	1
6-18	Coil, afttercooler - air cooled	32003238	1
6-19	Valve, safety - discharge - 325 psig	32174286	1
***	Valve, auxiliary - constant speed control	32170771	1
***	Valve, auxiliary - dual control	32170797	1
***	Kit, decal	32212649	1
**	Oil, XL - T30 synthetic compressor lubricant	32178766	1 GAL.