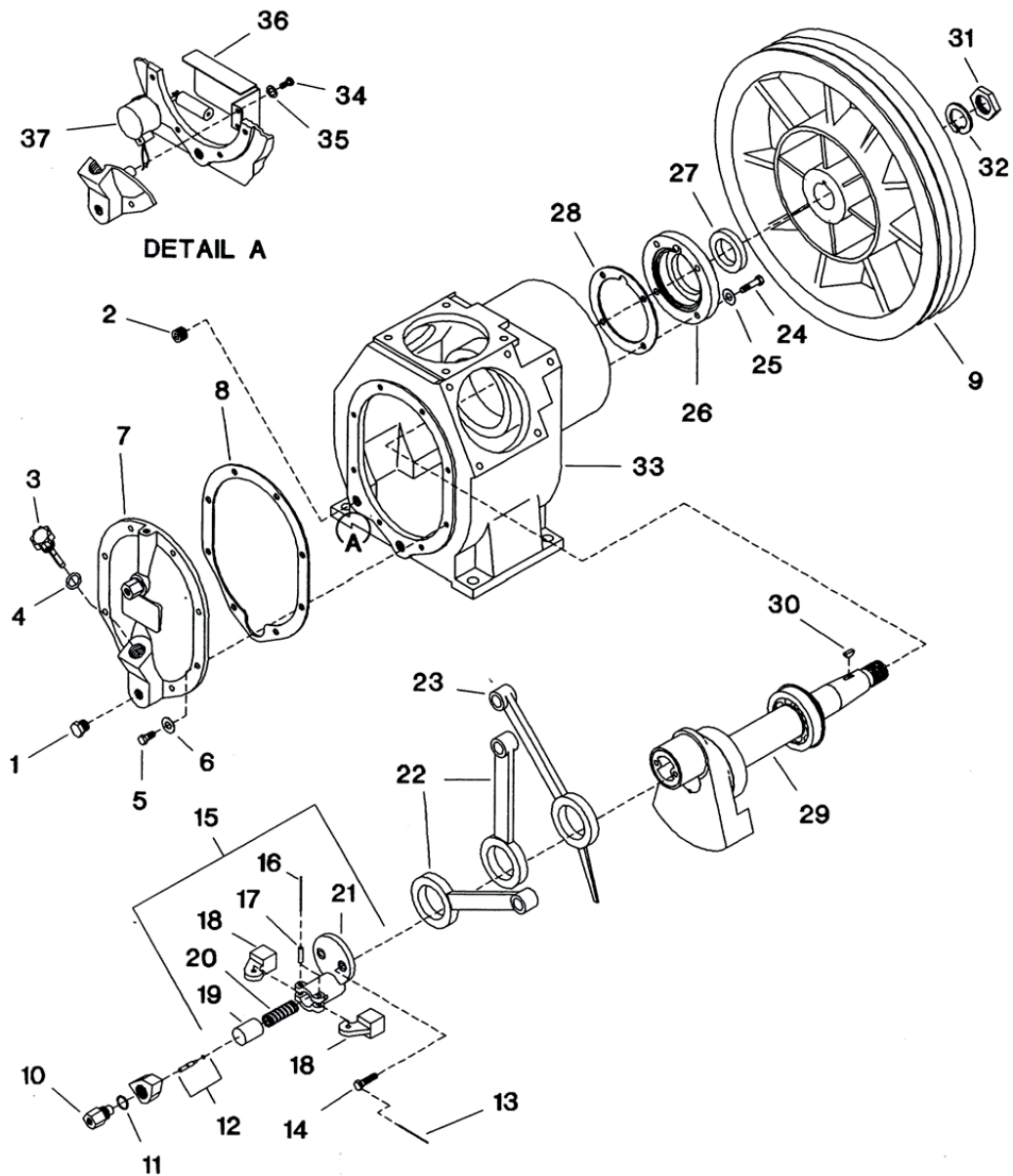


2. COMPRESSOR FRAME ASSEMBLY - MODEL 15T



2. COMPRESSOR FRAME ASSEMBLY - MODEL 15T

No.	Description	Ref Part No.	QTY
2-1	Plug Pipe Hex Head 1/2"	95078648	1
2-2	Plug Pipe square countersunk 1/2"	95344651	1
2-3	Plug oil filler - complete	30389003	1
2-4	– O Ring	95018149	1
2-5	Capscrew Hex 3/8 -16 X 7/8"	95053146	8
2-6	Gasket - Copper Washer	95674677	8
2-7	Cover, Frame End	37128089	1
2-8	Gasket, Frame End Cover	30439285	1
2-9	Wheel, V-Belt	32003667	1
2-10	Valve, Pilot	37113701	1
2-11	Washer, Copper	30346597	1
2-12	Pin Assly., Thrust	32028706	1
2-13	Lockwire, 20 GAX5"	90799289	1
2-14	Capscrew -3/8-16X1"	95101929	2
2-15	Cap Assembly, Crankpin	30210272	1
2-16	– Lockwire, 12 GAX4"	90799271	1
2-17	– Pin Centrifugal Unloader Weight	30214951	2
2-18	– Weight, Centri-fugal Unloader	30220875	2
2-19	– Plunger, Centri-fugal Unloader	30285688	1
2-20	– Spring, Centri-fugal Unloader	30815898	1
2-21	– Body, crankpin cap	30210322	1
2-22	Rod, Connecting - low pressure	32003659	2
2-23	Rod, Connecting - high pressure	32003642	1
2-24	Capscrew Hex 3/8 -16 X 7/8"	95053146	4
2-25	Gasket - Copper Washer	95674677	4
2-26	Cover, Shaft End	37128071	1
2-27	Seal, Oil	32204562	1
2-28	Gasket - Shaft End Cover	30294961	1
2-29	Crankshaft - Complete	30211601	1
2-30	– Key, woodruff	95083721	1
2-31	– Nut, Hex	30287668	1
2-32	– Lockwasher, spring	95265690	1
2-33	Crankcase	32182602	1
2-34	Capscrew Hex 1/4 - 20 X 1/2	95053070	2
2-35	Lockwasher, spring - 1/4	95043196	2
2-36	Baffle, Low Oil Level Switch	30290043	1
	Optional Equipment		
2-37	Switch, low oil level - nema 1	32201527	1
2-37	Switch, low oil level - nema 7	32217390	1