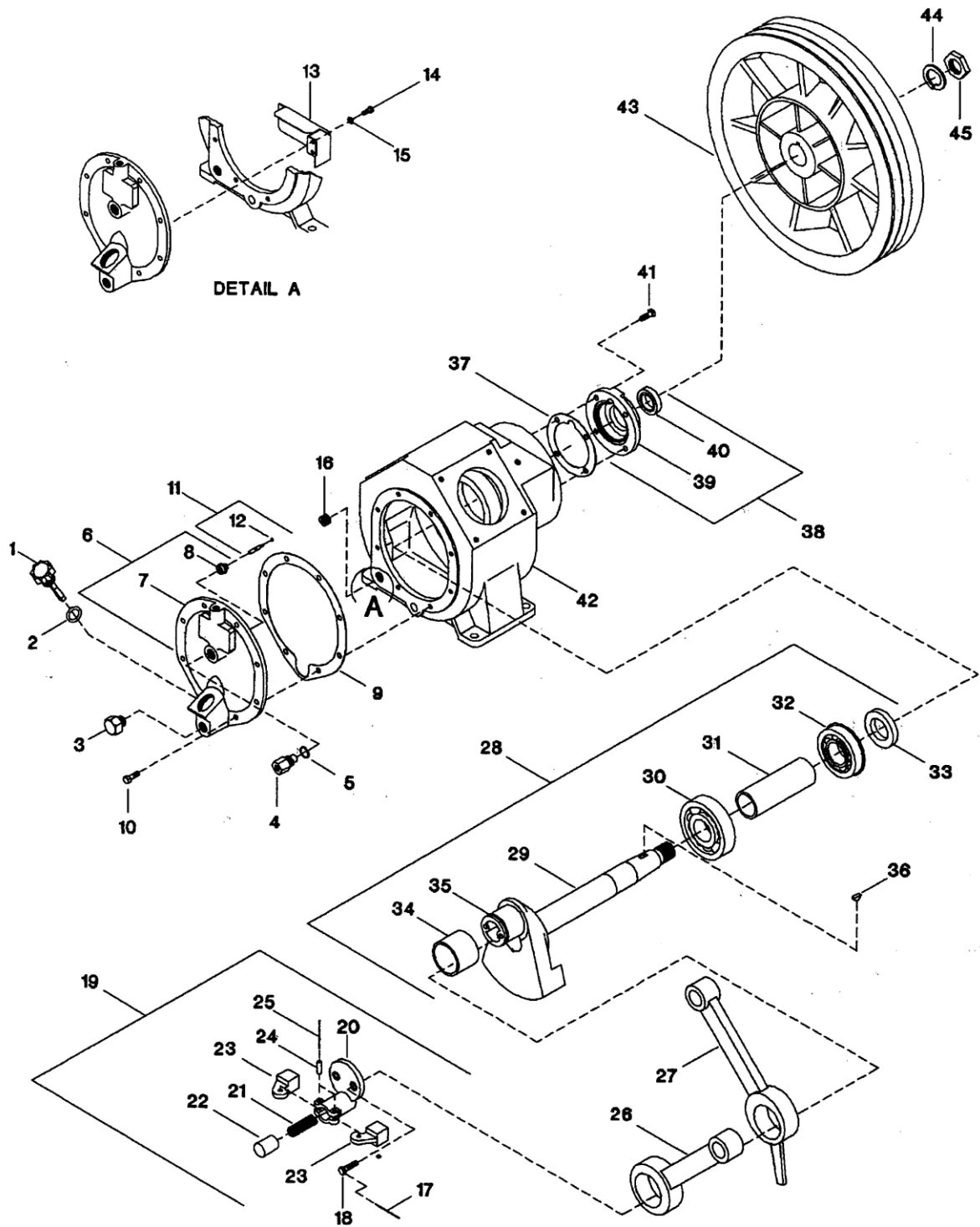


# 1. COMPRESSOR FRAME ASSEMBLY - Model 5T2NL



## 1. COMPRESSOR FRAME ASSEMBLY - MODEL 5T2NL

No.	Description	Ref Part No.	QTY
1-1	Plug, Oil Gauge	32222275	1
1-2	O-Ring, Oil Gauge	32225476	1
1-3	Plug, Pipe - Hex Head - 1/2"	95033445	1
1-4	Assembly, Pilot Valve	32250144	1
1-5	Washer, Copper - Pilot Valve	32225500	1
1-6	Assembly, Frame End Cover	32222903	1
1-7	– Cover, Frame End	32222291	1
1-8	– Bushing, Pilot Valve	32222432	1
1-9	Gasket, Frame End Cover	30294979	1
1-10	Capscrew - M10 X 25	32225187	8
1-11	Assembly, Thrust Pin	32255127	1
1-12	– O-Ring, Thrust Pin	32225492	1
1-13	Baffle, Low Oil Level Switch	30285548	1
1-14	Capscrew - M6 X 10	32225203	2
1-15	Washer, Lock - 6mm	32225302	2
1-16	Plug, Pipe - Countersunk Hex Head	32179020	1
1-17	Lockwire - 12ga	37605193	5"
1-18	Capscrew - M10 X 20	32225179	2
1-19	Assembly, Crankpin Cap	32222812	1
1-20	– Body, Crankpin Cap	32222457	1
1-21	– Spring, Centrifugal Unloader	30815898	1
1-22	– Plunger, Centrifugal Unloader	32222440	1
1-23	– Weight, Centrifugal Unloader	30220875	2
1-24	– Pin, Centrifugal Unloader Weight	30214951	2
1-25	– Lockwire - 12ga	37605185	5"
1-26	Rod, Connecting - Low Pressure	32222382	1
1-27	Rod, Connecting - High Pressure	32222267	1
1-28	Assembly, Crankshaft	32222671	1
1-29	– Assembly, Disc & Shaft	NSS	1
1-30	– Bearing, Ball	95214342	1
1-31	– Spacer, Crankshaft/Bearing	37127933	1
1-32	– Bearing, Ball - W/Snap Ring	95213948	1
1-33	– Ring, Bearing Retainer	30217012	1
1-34	– Bushing, Crankpin	37002367	1
1-35	Loctite 609 - Tube- For Crankpin Bushing Assembly	32185803	5MIL
1-36	Key, Woodruff	32226144	1
1-37	Gasket, Shaft End Cover	30295059	1
1-38	Assembly, Shaft End Cover	32222556	1

## 1. COMPRESSOR FRAME ASSEMBLY - MODEL 5T2NL

No.	Description	Ref Part No.	QTY
1-39	– Cover, Shaft End	NSS	1
1-40	– Seal, Oil	32204547	1
1-41	Capscrew - M10 X 25	32225187	4
1-42	Frame, Compressor	32222317	1
1-43	Wheel, V-Belt	32222655	1
1-44	Washer, Lock - Beltwheel	32225351	1
1-45	Nut - Beltwheel	32225344	1