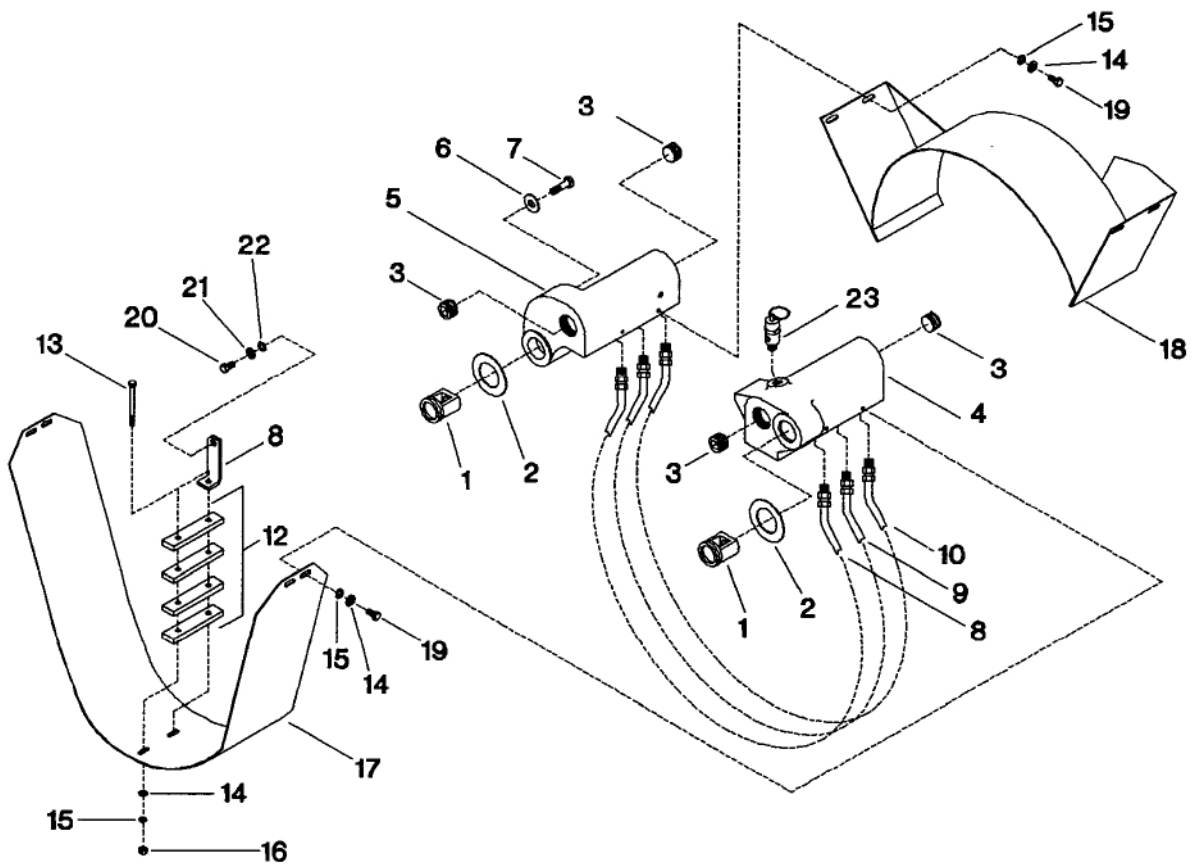


8. INTERCOOLER ASSEMBLY - MODEL 10T3NLM



8. INTERCOOLER ASSEMBLY - MODEL 10T3NLM

No.	Description	Ref Part No.	QTY
8-1	Connection, Manifold	32225948	2
8-2	Gasket, Manifold	30294821	2
8-3	Plug, Pipe - Countersunk	95033304	4
8-4	Manifold, Intercooler - Low Pressure	32222622	1
8-5	Manifold, Intercooler - High Pressure	32222630	1
8-6	Washer, Copper - 12mm	32225328	2
8-7	Capscrew - M12 X 35	32225252	2
8-8	Assembly, Tube - Completet	32241697	4
8-9	Assembly, Tube - Completet	32241564	3
8-10	Assembly, Tube - Completet	32241671	4
8-11	Brace, Intercooler Clamp	32226060	1
8-12	Clamp, Intercooler Tube	37140175	4
8-13	Capscrew - M6 X 100	32225260	2
8-14	Washer, Flat - 6mm	32225310	10
8-15	Washer, Lock - 6mm	32225302	10
8-16	Nut, Hex - 6mm	32225294	2
8-17	Shroud, Intercooler - Bottom	32222390	1
8-18	Shroud, Intercooler - Top	37140027	1
8-19	Capscrew - M6 X 12	32225229	8
8-20	Capscrew - M8 X 16	32225237	1
8-21	Washer, Flat - 8mm	32226086	1
8-22	Washer, Lock - 8mm	32226094	1
8-23	Valve, Relief - 60 Psig	72062151	1