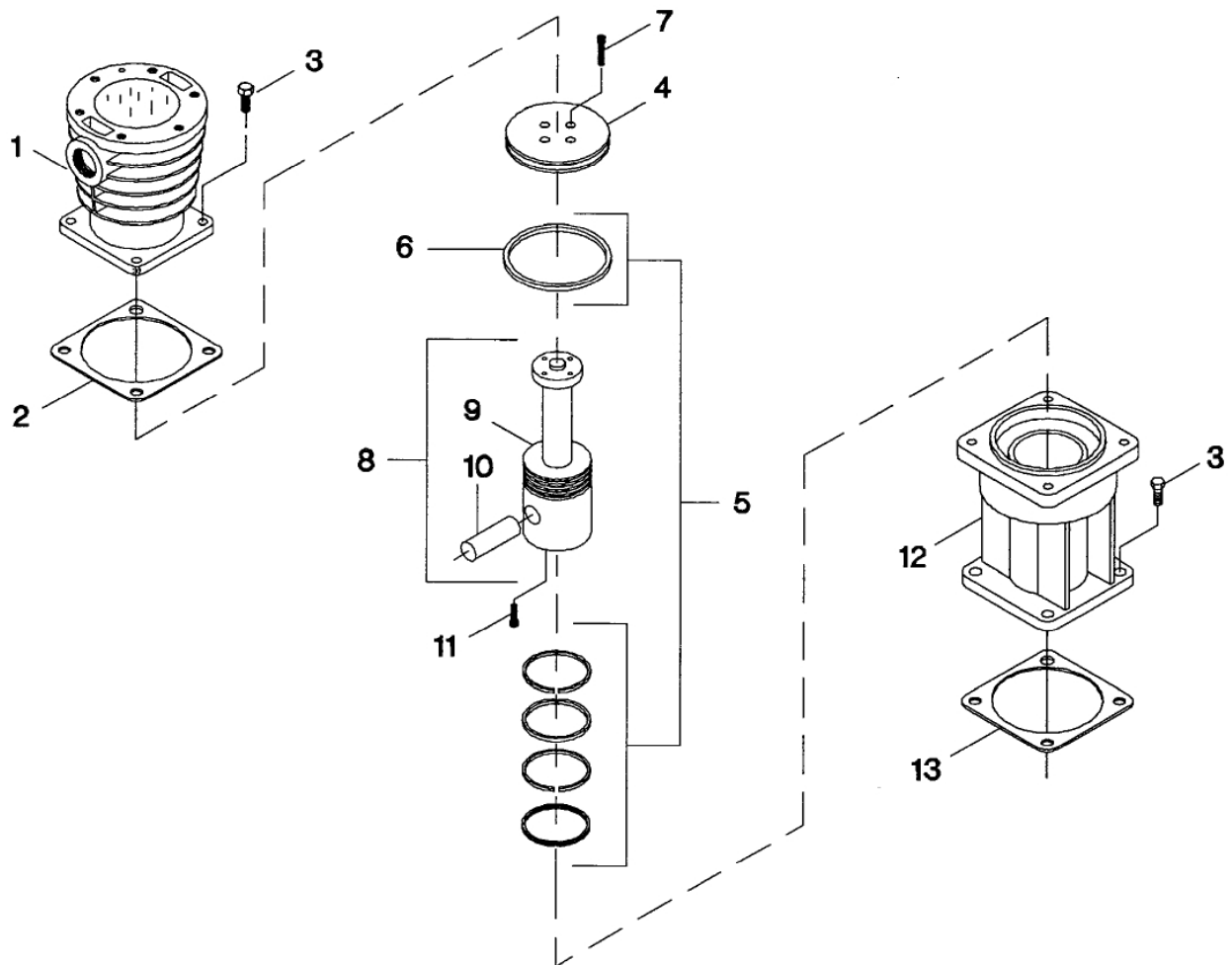


6. 5" PISTON, CYLINDER & CROSSHEAD - MODEL 10T3NLM



6. 5" PISTON, CYLINDER & CROSSHEAD - MODEL 10T3NLM

No.	Description	Ref Part No.	QTY
6-1	Cylinder, Air - 5" - High Pressure	32222416	2
6-2	Gasket, Flange	37135985	2
6-3	Capscrew - M12 X 30	32225195	16
6-4	Top, Piston	37140043	2
6-5	Set, Ring	32015109	2
6-6	– Ring, Piston - Step Seal	37197993	1
6-7	Screw, Socket Head - M6 X 15	32225153	8
6-8	Assembly, Crosshead/Pin	32222796	2
6-9	– Crosshead	NSS	1
6-10	– Pin, Crosshead	37170271	1
6-11	Setscrew - M10 X 25	32225211	2
6-12	Guide, Crosshead	32222325	2
6-13	Gasket, Flange	30294201	2