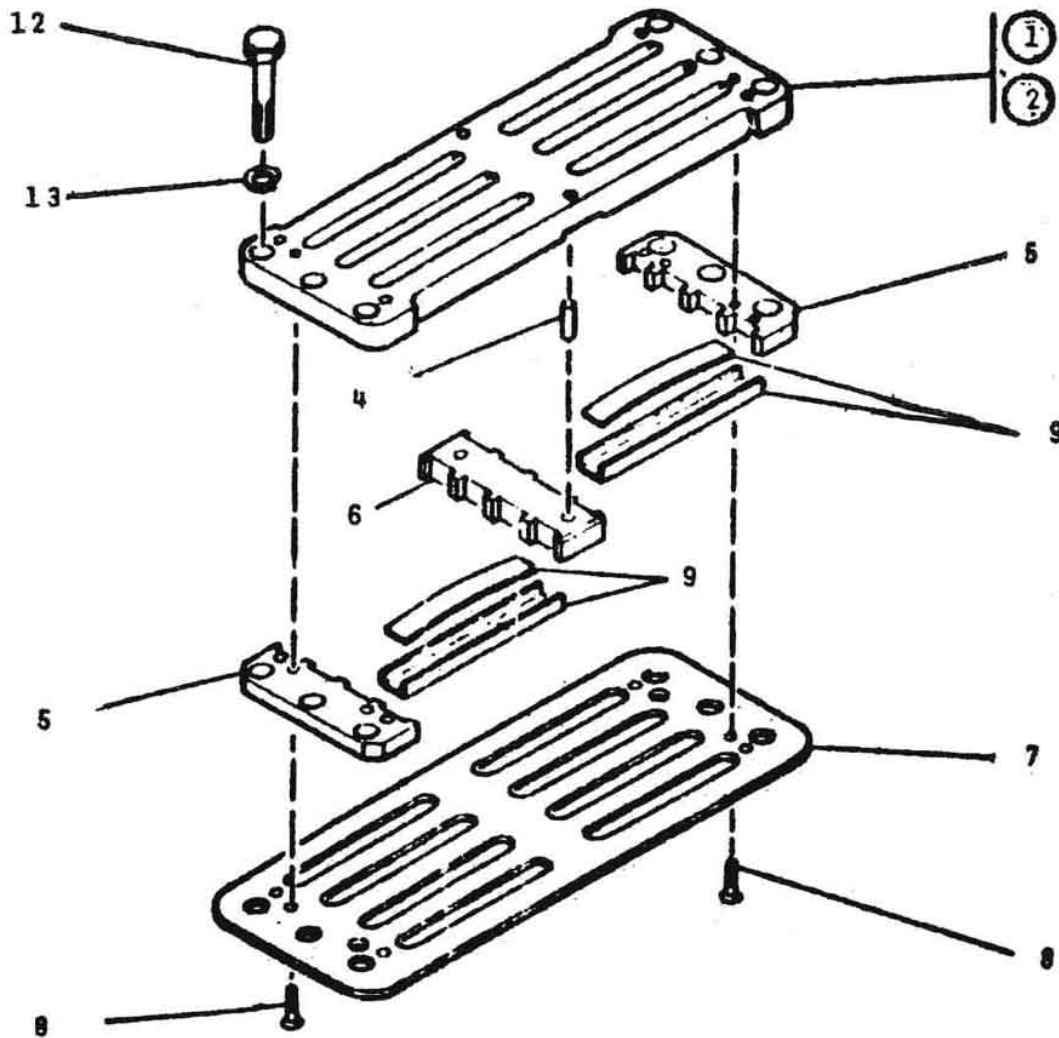


## 7. VALVE DISCHARGE - MODEL 9.5 x 7 LUB



## 7. VALVE DISCHARGE - MODEL 9.5 x 7 LUB

No.	Description	Ref Part No.	QTY
1	Valve-Disch. Compl.	A829PC2C	–
2	– Plate-Stop	A829PC6C	1
–	– Stop Plate - Bare	NP	1
5	– Guide-Outer	A465PC16	2
6	– Guide-Center	A829PC24	1
4	– Dowel	26A13F501	6
7	– Plate-Seat	A829PC18	1
8	– Machine-Screw	77A2S29	2
9	– Set-Channel & Spring	A829PC33A	1
12	– Capscrew	35A2D7	6
13	– Lockwasher	14A5C54	6