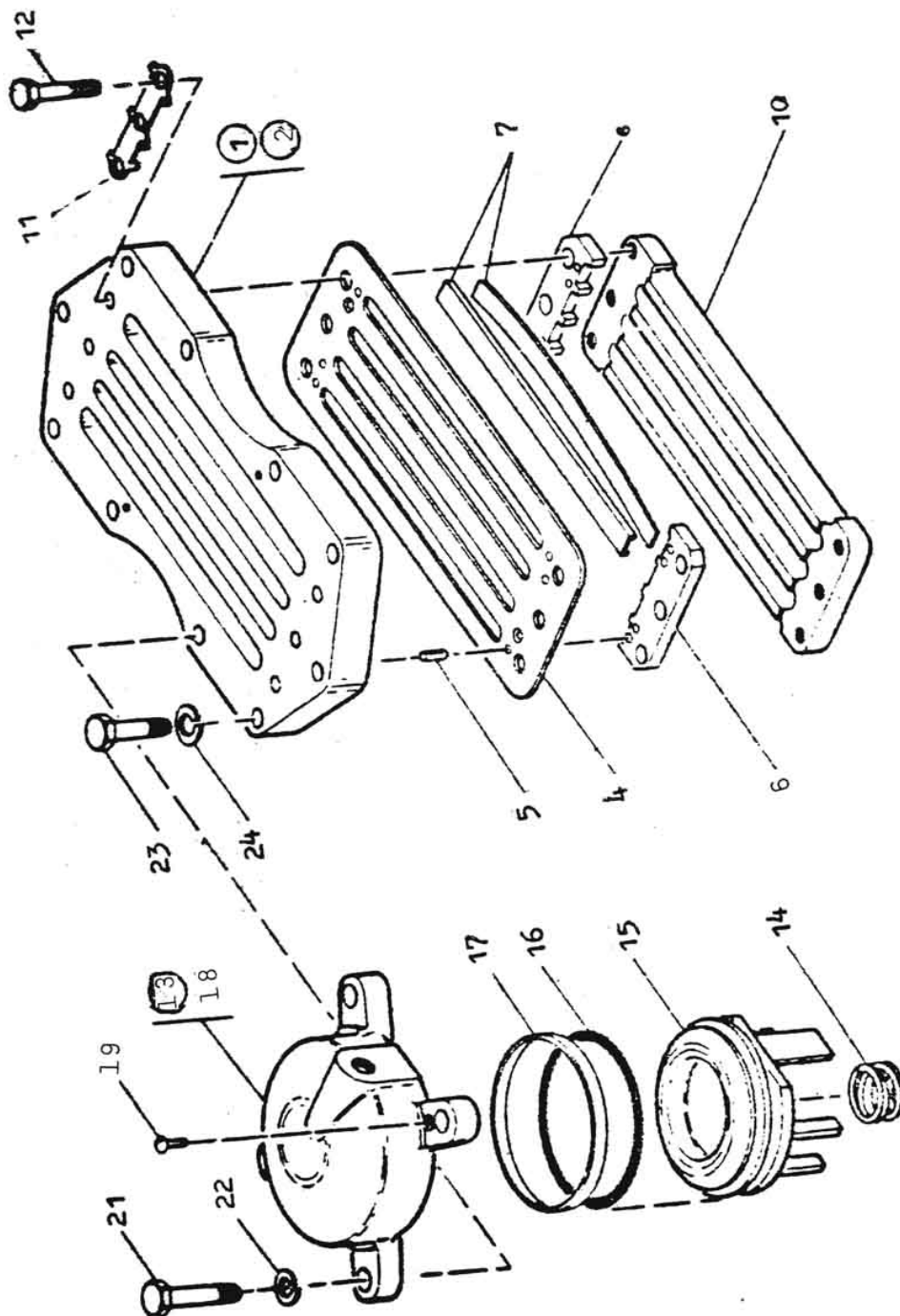


## 6. VALVE FAU & INLET - MODEL 9.5 x 7 LUB



## 6. VALVE FAU & INLET - MODEL 9.5 x 7 LUB

No.	Description	Ref Part No.	QTY
1	Valve-Inlet Complete	A465PC1	–
2	– Seat-Inlet	A465PC3	1
4	– Plate-Seat	A465PC18	1
6	– Guide	A465PC16	2
5	– Dowel	26A13F501	4
10	– Plate-Stop	A465PC5	1
12	– Capscrew	35A2D9	6
11	– Lock-Bolt	1W71948	2
7	– Set Channels & Spring	A465PC33	1
23	– Capscrew	35A2D60	6
24	– Lockwasher	14A5C64	6
13	Unloader-Free Air Complete	X1462TA465CC	–
18	– Cage	1R42366	1
15	– Plunger	1R28496-A	1
14	– Spring	PP705	1
16	– "O" Ring	20A11BM333	1
17	– Ring-Piston	1W68436	1
21	– Capscrew	35A2C63	4
–	Speed-Grip	C8614-017-27	4
22	– Lockwasher	14A5C65	4
19	– Screw-Rd Hd	83A2C29	2
–	Assembly Drg. No.	R-27845C	–