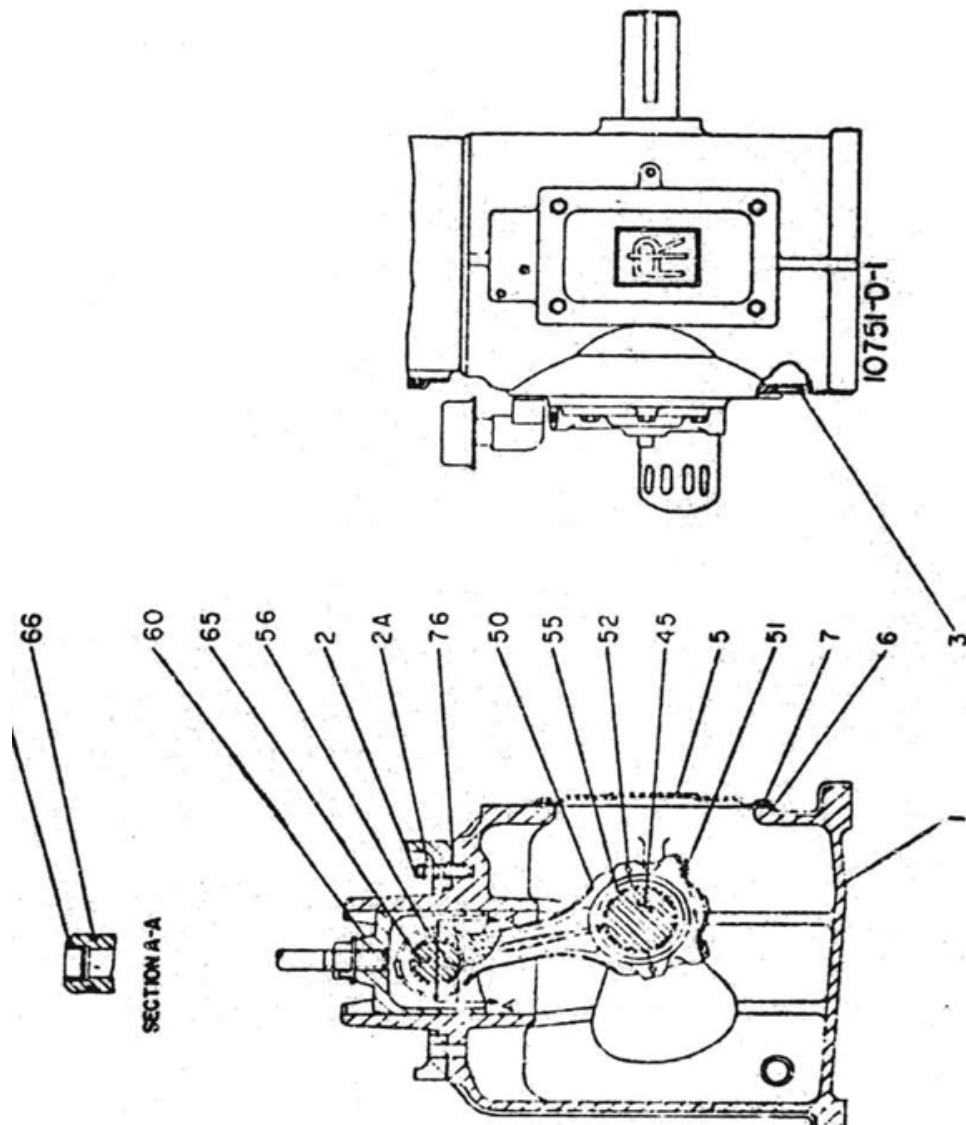
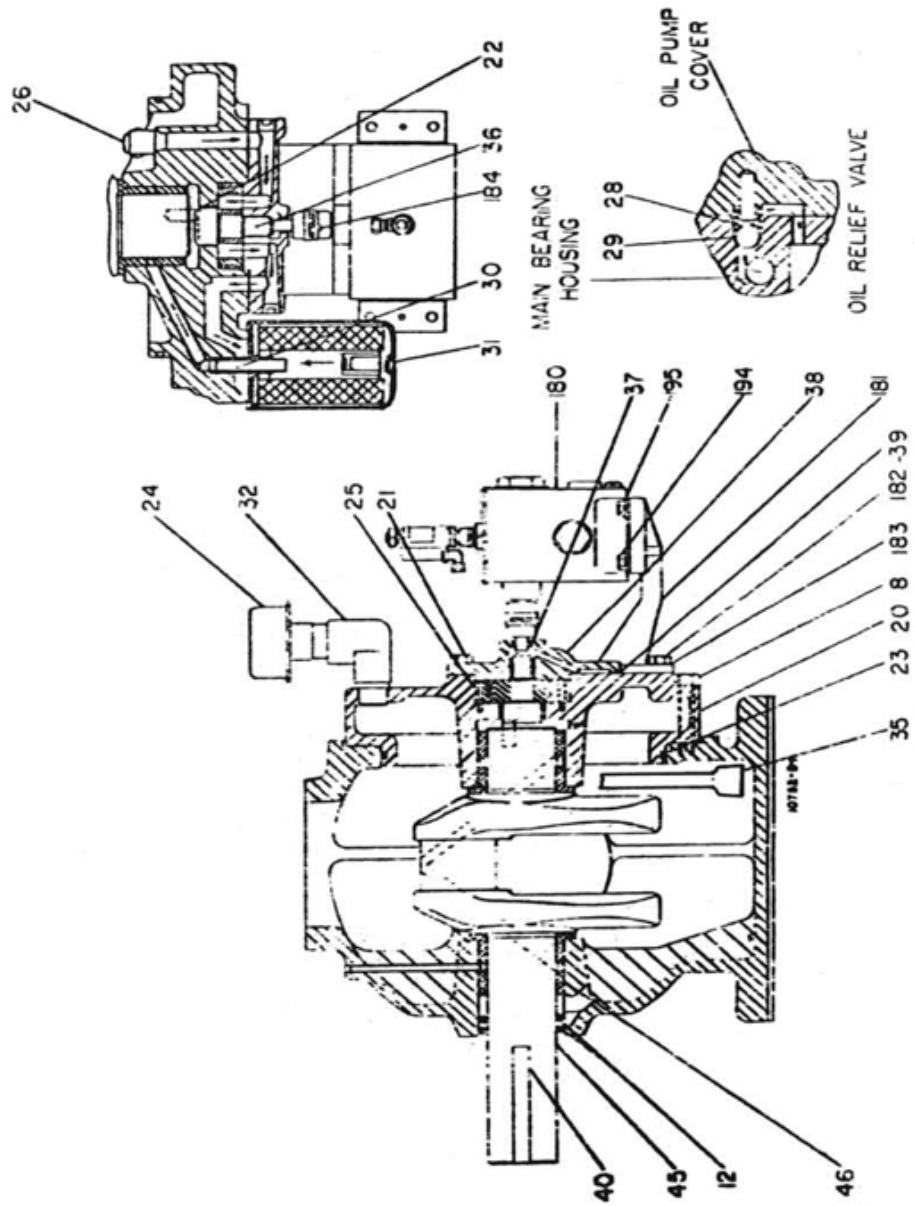


1. FRAME & GEAR - MODEL 9.5 x 7 LUB



1. FRAME & GEAR - MODEL 9.5 x 7 LUB



1. FRAME & GEAR - MODEL 9.5 x 7 LUB

No.	Description	Ref Part No.	QTY
–	Frame & Gear	–	–
–	Frame Complete	3674E1T	–
1	Frame	3674E1	1
2	Stud-Dist PC	11A3C462	8
2A	Nut-Distpcstud	16A4C8	8
76	Gasket-Frame	8367D1	1
3	Gasket-Oil Level	6453B1	1
5	Cover-Frame	6537C1	1
6	Gasket-Cover	5849C1-2	1
7	Capscrew-Cover	35A2C217	4
–	Nipple-Drain	18A7W44	1
–	Coupling Drain	11A7W4	1
–	Plug-Drain	30A7S5	1
–	Housing MB Complete	3171E1T	–
20	Housing MB with Bush	3171E1N	1
22	Bushing Oil Pump	3800C1-2	1
–	Plug-Pipe	31A7S4	2
25	Dowelpin-Oil pump	17A13A141	1
–	Plate-Rotation	8A16X34B	1
–	Screw-Drive	122A2S57	2
8	Capscrew- MB Hsg.	35A2D386	2
23	"O" Ring MB Hsg.	20A11CM457	1
26	Elbow Male	75A10B20	1
32	Elbow Breather	6768C1	1
28	Spring - Relief Valve	4859B1	1
29	Ball - Relief Valve	6457B1	1
31	Filter - Oil	6458B1	1
30	Adapter Oil Filter	4765B1	1
24	Cap - Breather	6459B1	1
35	Pipe Assem-Oil Suct.	3188E1-2	1
–	Case-Suct Screen	NSS	1
–	Tubing-Oil Suct	NSS	1
–	Screen-Suction	NSS	1
–	Nut-Tube	NSS	1
36	Pump-Oil Assy	Y1052T1	1
–	Pump-Type H	NSS	1
–	Shaft-Pump Drive	NSS	1
–	Ring-Pump Locating	NSS	1

1. FRAME & GEAR - MODEL 9.5 x 7 LUB

No.	Description	Ref Part No.	QTY
37	Seal-Oil Pump Shaft	X1220T126	1
-	Cover-Oil Pump Coml.	8141D1T	-
38	Cover-Oil Pump	8141D1N	1
-	Plug-Oil Priming	31A7S4	1
-	Plug-Pipe	30A7S5	1
-	Rollpin	25A13C289	1
39	Gasket-Cover	5856C1-1	1
21	Capscrew-Pump	35A2C163	5
-	Bushing Cover	WIN 1362	1
46	Bushing Main Bearing	5835C1 IM	2
-	Crankshaft Assem	3161E1T	-
45	Crankshaft	3161E1	1
-	Dowel-Pump Drive	NSS	1
40	Key-Crankshaft	11A9C436	1
12	Seal-C-Shaft Oil	X1220T121	2
-	Rod-Conn & Cap Complete	37189628	-
-	Rod-Conn & Cap Assl.	14277D1T	-
50	Rod-Conn & Cap	14277D1	1
51	Bolt-Conn Rod	36A2A440E	2
-	Inches of Wire	X1636T120	16
52	Bushing-Alignment	1W132626	2
55	Bushing-Crankpin	5833C1	1
56	Bushing-Xhead Pin	5832C1	1
-	Crosshead Complete	3165E1P1T	-
60	Crosshead	3165E1P1	1
65	Pin-Xhead Complete	8498C1T	1
-	Pin-Xhead	8498C1	1
344	Plug-Pin	5040B1	1
-	Plug-Pipe	31A7S3	1
66	Ring-Retaining	Y1040T3 IM	2