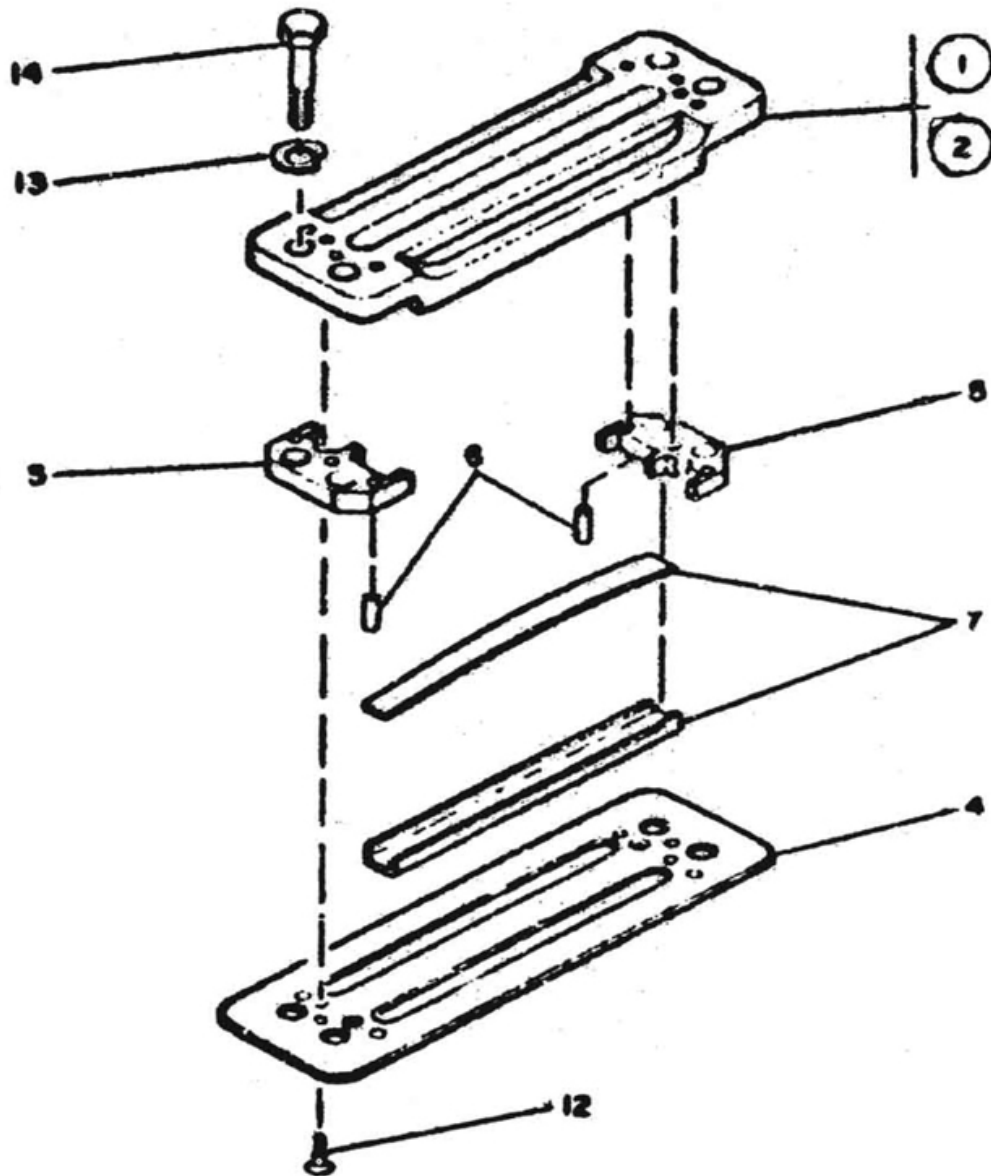


7. VALVE DISCHARGE - MODEL 8 x 7 LUB



7. VALVE DISCHARGE - MODEL 8 x 7 LUB

| No. | Description | Ref Part No. | QTY |
|-----|--------------------------|--------------|-----|
| 1 | Valve Disch Complete | A357PC2 | – |
| 2 | – Plate Stop | A357PC6 | 1 |
| – | – Stop Plate Bare | NP | 1 |
| 5 | – Guide | A357PC16 | 2 |
| 6 | – Dowel | 26A13F501 | 4 |
| 4 | – Plate Seat | A357PC18 | 1 |
| 12 | – Machine Screw | 77A2S29 | 2 |
| 7 | – Set Channels & Springs | A357PC33 | 1 |
| 14 | – Capscrew | 35A2D7 | 6 |
| 13 | – Lockwasher | 14A5C54 | 6 |