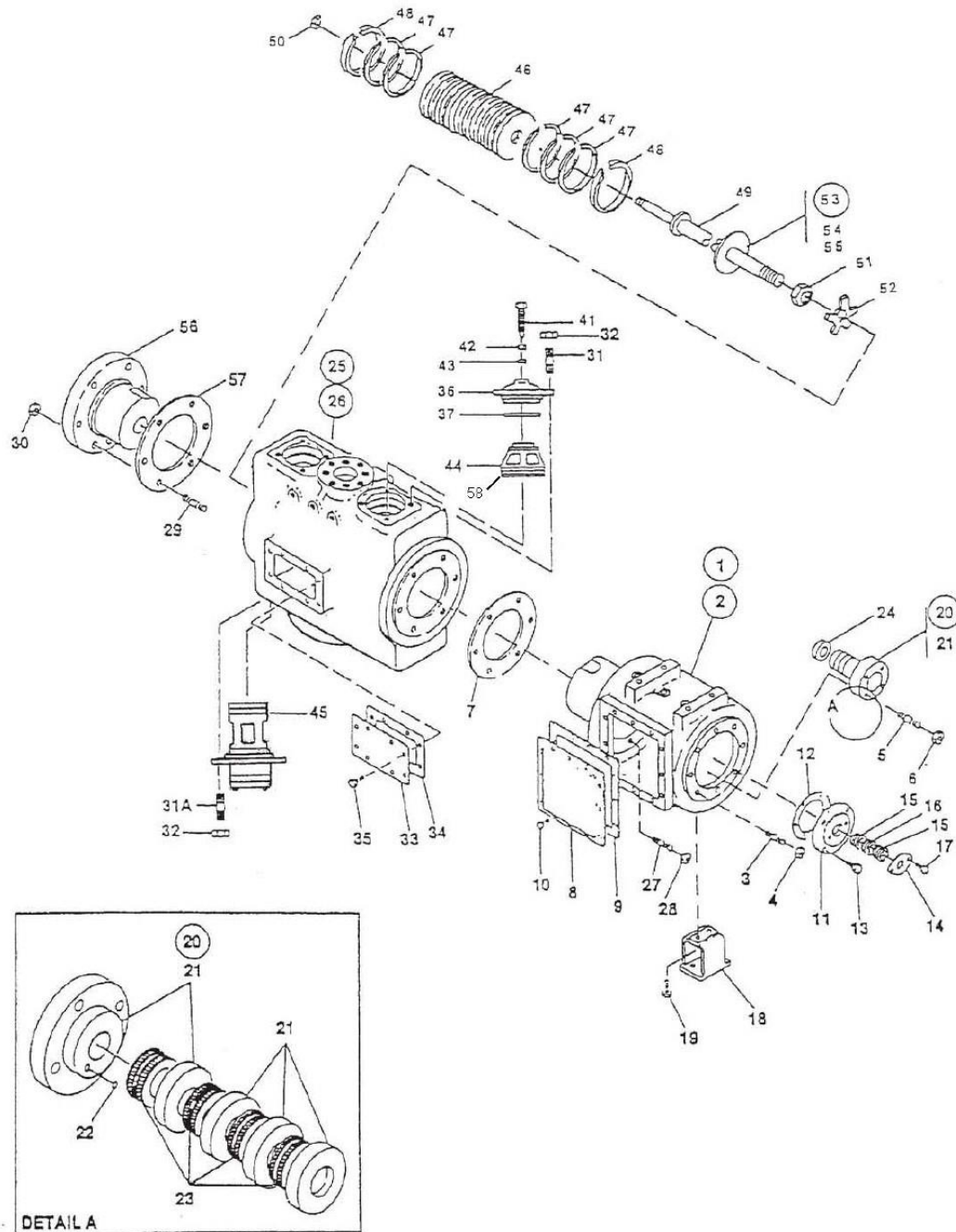


3 - AIREND COMPLETE - MODEL - 5 x 7 ESV LUB



3 - AIREND COMPLETE - MODEL - 5 x 7 ESV LUB

Sr.No	Description	Ref Part Nos	Qty
3-*	AIREND COMPLETE - 5"	70457312	1
3-1	. PIECE-FR HD & DIST COMPLETE	70444914	1
3-2	.. PIECE-FR HD & DIST ASSEMBLY	70444922	1
3-*	... PIECE-FR HD & DIST	39781513	1
3-3	... STUD-3/4INx3-1/4IN	95737417	8
3-4	... NUT HEX 3/4	95077822	8
3-5	... STUD-3/4INX4-1/2IN	95593695	4
3-6	... NUT	95077822	4
3-*	... REDUCER 1-1/2IN X 1/2IN	95038188	2
3-*	... PIPEPLUG 3/4IN NPT	95002143	8
3-*	... PIPEPLUG 1/2IN NPT	95033619	4
3-*	.. BUSHING-REDUCING	95038188	2
3-7	.. GASKET-FRAME HEAD	39550082	1
3-8	.. COVER-DISTANCE PIECE	37133394	2
3-9	.. GASKET-COVER	37068293	2
3-10	.. CAPSCREW-COVER	95104147	24
3-11	.. PLATE-PARTITION	37133402	1
3-12	.. GASKET-PART PLATE	37123171	1
3-13	.. CAPSCREW-PART PLATE	95103792	4
3-14	.. GLAND-OIL SCRAPER	30477632	1
3-15	.. RING-SCRAPER	54491378	2
3-16	.. RING-SCRAPER	54491386	1
3-17	.. CAPSCREW-GLAND	95104188	2
3-18	.. FOOT-DIST PIECE	97073118	1
3-19	.. CAPSCREW-FOOT	95104436	2
3-20	. CASE-PACKING	42431791	1
3-22	.. O-RING	95022802	10
3-24	. GASKET-PACKING	30586127	1
3-25	. CYLINDER COMPLETE	70457387	1
3-26	.. CYLINDER ASSEMBLY	70457395	1
3-*	... CYLINDER	39781505	1
3-27	... STUD-7/8IN X 5-1/4IN	95811691	6
3-28	... NUT	95210480	6
3-29	... STUD-7/8IN X 8 IN	95866976	6
3-30	... NUT	95210480	6
3-31	... STUD-VALVE COVER (DISCH)	95684205	8
3-31A	... STUD-VALVE COVER (INLET)	95684205	8
3-32	... NUT	95077822	16
3-*	... PIPEPLUG	95033619	8
3-33	... COVER-WATER	39463476	2
3-34	... GASKET-WATER COVER	39535547	2
3-35	... CAPSCREW-WATER COVER	95104147	16
3-36	.. COVER-VALVE	See Figure 4	2
3-37	.. GASKET-VLV CVR	30550842	4

3 - AIREND COMPLETE - MODEL - 5 x 7 ESV LUB

3-41	. . SETSCREW-DISCHARGE	30572945	4
3-42	. . NUT-SETSCREW	95077749	4
3-43	. . GASKET-NUT (INCHES)	37759438	1
3-44	. CRAB VALVE A36	31174667	2
3-45	. VALVE-INLET w/UNLOADER	39590468	2
3-58	. VALVE-DISCHARGE	39590435	2
3-59	. GASKET VALVE SEAT (SUCTION / DISCH)	54365648	4
3-46	. PISTON	39556527	1
3-47	. RING-PISTON	70457676	5
3-48	. RING-WEARING	70457684	2
3-49	. ROD-PISTON	39570973	1
3-50	. NUT-PISTON	34578799	1
3-51	. NUT-XHEAD JAM	30565675	1
3-52	. WASHER-LOCK	30589568	1
3-53	. PLATE-OIL STOP COMPLETE	37802279	1
3-54	. . PLATE-OIL STOP	30253025	1
3-55	. . CLAMP	95235131	1
3-56	. HEAD-OUTER	94443553	1
3-57	. GASKET-OUTER HEAD	39550082	1