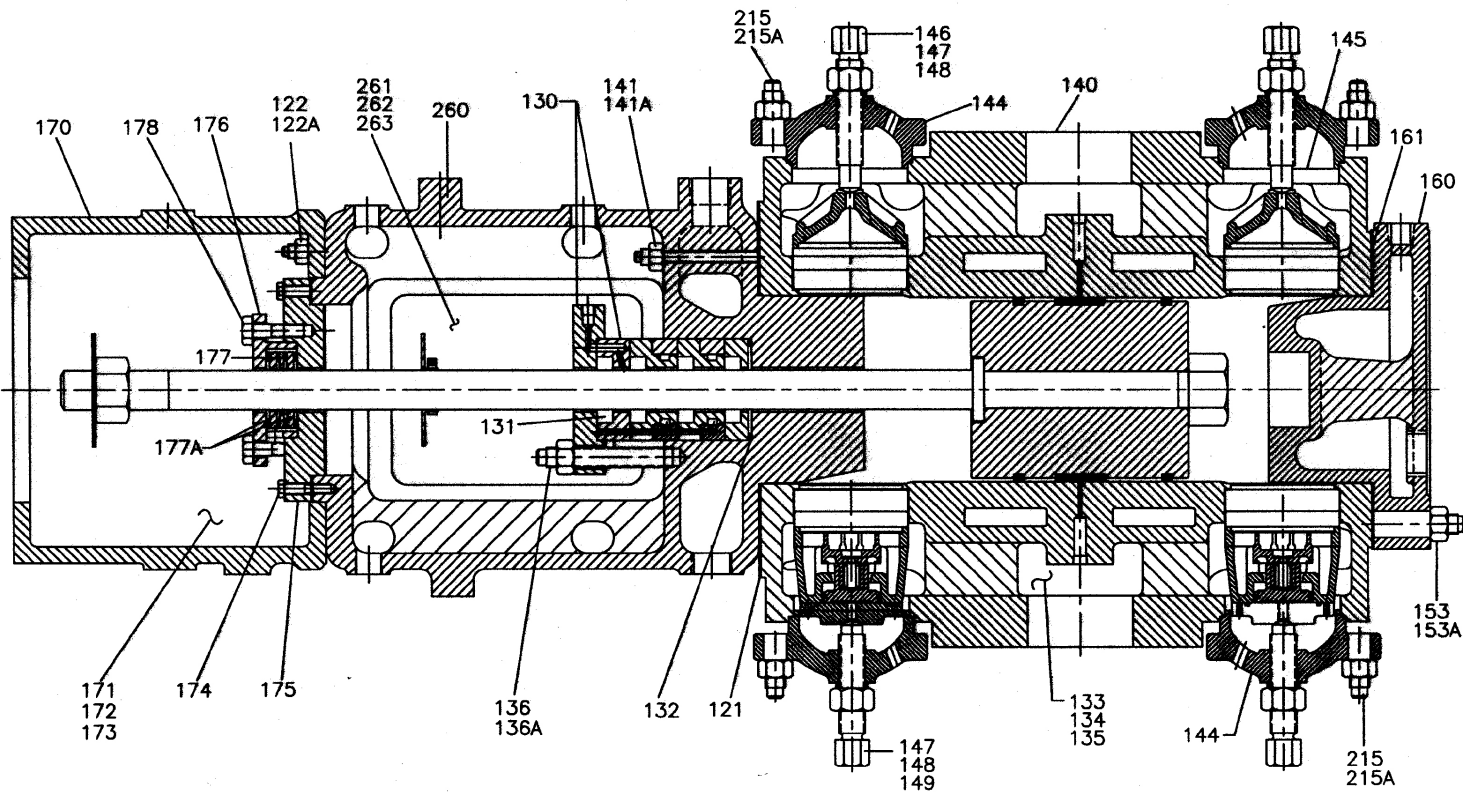


**9 - SECTION ASSEMBLY - IR - MODEL - 4 x 5 ESV NL**

**FIG. 4**



## 9 - SECTION ASSEMBLY - IR - MODEL - 4 x 5 ESV NL

Sr.No	Description	Ref Part Nos	Qty
-	. <b>ASSEMBLY DISTANCE PIECE 5" ESH LUB/NL</b>	<b>70269360</b>	-
9-170	. . DISTANCE PIECE FOR 5 ESH	97081152	1
-	. . <b>KIT DISTANCE PIECE VENT AND DRAIN</b>	<b>23636491</b>	1
-	. . . NIPPLE 1" X 3" XLE	95243077	2
-	. . . ELBOW 90 DEG 1 NPT X 3000# SA105	95648275	2
-	. . . BUSHING REDUCER 1 X 1/2	95038055	1
-	. . . PLUG PIPE SQ.HD.3/4"NPT CS BLACK	95002143	1
-	. . . DECAL CAUTION D/P RETROFIT KIT	23639339	1
-	. . . DECAL WARNING D/P RETROFIT KIT	23639347	1
-	. . . DECAL WARNING D/P COVER,RETROFIT KIT	23639354	1
-	. . PLUG PIPE SQ.HD.1 NPT	95101044	1
9-171	. . COVER DISTANCE PIECE 5ESV	30184261	1
9-172	. . GASKET COVR DIST PC 5 STK	30562698	1
9-173	. . SCREW CAP HEX HEAD 1/2IN X 3/4IN	95104121	4
-	. <b>ASSEMBLY HEAD FRM &amp; DIST PC 4-3/4X5,7"</b>	<b>70265160</b>	-
9-260	. . HEAD FRAME & DISTANCE PIECE 4-3/4 X 5 & 7	70443031	1
-	. . <b>KIT DISTANCE PIECE VENT ESV</b>	<b>23643562</b>	1
-	. . . NIPPLE 1" X 3" XLE	95243077	1
-	. . . ELBOW 90 DEG 1 NPT X 3000# SA105	95648275	1
-	. . . DECAL CAUTION D/P RETROFIT KIT	23639339	1
-	. . . DECAL WARNING D/P COVER,RETROFIT KIT	23639354	1
9-122	. . STUD 3/4 X 3-1/4	95737417	8
9-122A	. . NUT HEX 3/4 UNC ESV	95077822	8
9-136	. . STUD 3/4IN X 4-3/4IN	95593703	4
9-136A	. . NUT HEX 3/4 UNC ESV	95077822	4
-	. . PLUG CO SUNK 1-1/2 NPT	95033270	4
-	. . PLUG PIPE SQ.HD.1 NPT	95101044	3
-	. . PLUG PIPE SQ.HD.3/4"NPT CS BLACK	95002143	1
9-121	. . GASKET NAB	37141777	1
9-261	. . COVER DISTANCE PIECE PROC	37133394	2

## 9 - SECTION ASSEMBLY - IR - MODEL - 4 x 5 ESV NL

9-262	. . GASKET COVER CORK	37068293	2
9-263	. . SCREW CAP HEX 1/2INX 1IN	95104147	24
9-175	. . PLATE PARTITION	37133402	1
9-174	. . SCREW CAP HEX HEAD 3/8 X 1.5 " LG GRADE 5	95103792	4
9-176	. . GLAND 7 STK ESH OIL SCRAPER	30477632	1
9-177	. . RING SCRAPER 1.5 INCH ROD	54491378	2
9-177A	. . RING SCRAPER 1.5 INCH ROD	54491386	1
9-178	. . SCREW CAP HEX HEAD 1/2 X 1-3/4 LG , GR = 5	95104188	2
-	. . ADAPTER PROC	37771870	3
-	. . ELBOW MALE 1/4T X 1/4 NPT	70219795	3
-	. . CONNECTOR MALE 1/4T X 1/4 NPT	70230487	3
-	. . TUBE 1/4" OD X 0.035"THK SS316 SEAMLESS	94468261	2
-	. . REDUCER BUSHING 1-1/2"X1/2" STEEL	95038188	2
-	. . ELBOW 1/2	95080693	1
-	. . NIPPLE 1/4IN X 2IN ASTM A120 WELDE	70229216	1
-	. . NIPPLE PIPE 1/2NPTx1.5	95273330	1
-	. . REDUCER BUSHING 3/4" X 1/4" NPT	95002085	3
-	. . STRAINER 1/2 IN	37073194	1
-	. <b>ASSEMBLY CYLINDER 4 X 5 ESV NL WITH UL-90</b>	<b>17276908</b>	-
9-140	. . CYLINDER 4" WITH A28 400/600 VALVES	70274022	1
9-141	. . STUD 7/8IN X 8IN	95866976	6
9-141A	. . NUT HEX 7/8IN	95210480	6
9-153	. . STUD 7/8IN X 4-3/8IN	95684270	6
9-153A	. . NUT HEX 7/8IN	95210480	6
9-215	. . STUD 3/4IN X 3-1/2IN	95593653	16
9-215A	. . NUT HEX 3/4 UNC ESV	95077822	16
-	. . PLUG PIPE SQ.HD. 1/4 NPT	95033593	2
-	. . PLUG PIPE SQ.HD 1/2 NPT CS BLACK	95033619	8
-	. . NAMEPLATE	40036519	1
-	. . SCREW MACHINE 0.114" X 0.25"	39175070	4

## 9 - SECTION ASSEMBLY - IR - MODEL - 4 x 5 ESV NL

9-144	. . COVER VALVE PROC	37133584	4
9-145	. . GASKET VLV COVER CU SHROUDED	30550842	4
9-146	. . SCREW SET HEX HEAD	30336457	2
9-147	. . NUT HEX 1IN	95077749	2
9-148	. . GASKET NUT (1/8 LEAD WIRE)	37759438	7
–	. . SCREW SET HEX HEAD	30756399	2
–	. . ROD PUSH 7 3/8 X 0.250 PROC	37134897	2
9-147	. . NUT HEX 1IN	95077749	2
9-148	. . GASKET NUT (1/8 LEAD WIRE)	37759438	7
–	. . FLANGE CLOSURE 2-1/2IN X 300#	97100663	2
–	. . GASKET FLANGE 2-1/2IN X 300#	94496585	2
–	. . SCREW CAP HEX HEAD 3/4 X 1	95104592	8
9-133	. . COVER WATER CYLINDER	39535661	2
9-134	. . GASKET WATER COVER PHE-7	39535638	2
9-135	. . SCREW CAP HEX 1/2IN X 1IN	95104147	12
–	. <b>ASSEMBLY HEAD OUTER 5 &amp; 7 ESH/V L/NL</b>	<b>70263355</b>	–
9-160	. . HEAD OUTER 4-3/4 PROC	37133915	1
9-161	. . GASKET NAB	37141777	1
–	. . SCREW MACHINE 0.114" X 0.25"	39175070	4