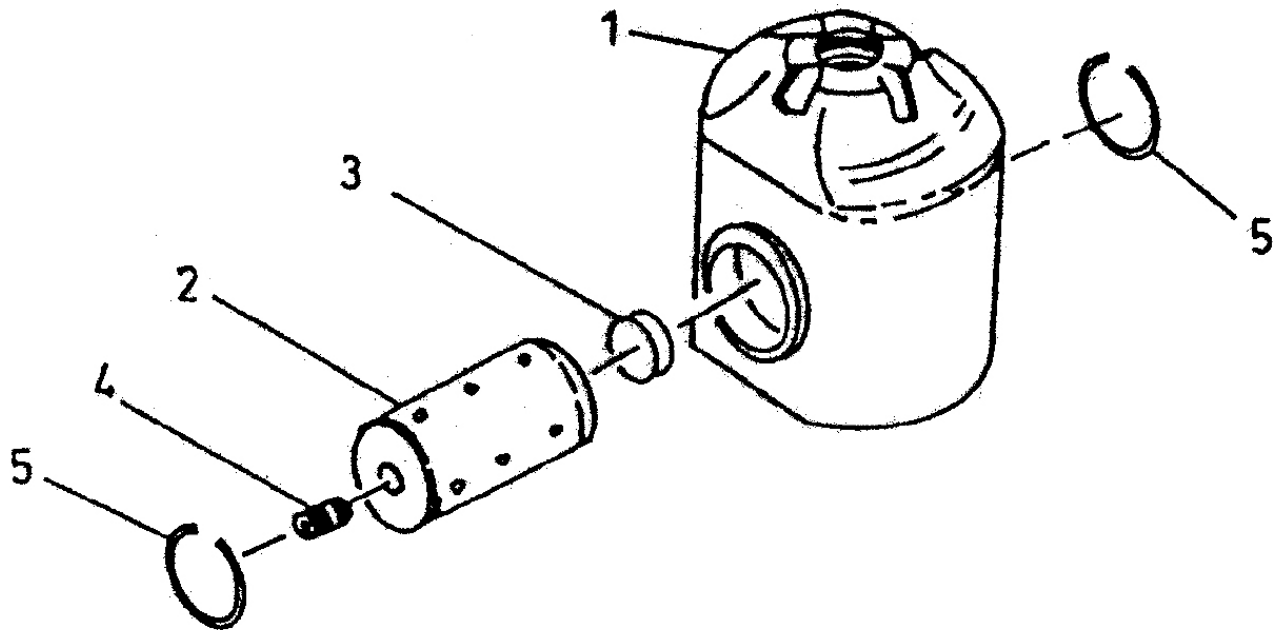


## 8 - ASSEMBLY CROSSHEAD - IR - MODEL - 4 x 5 ESV NL



## 8 - ASSEMBLY CROSSHEAD - IR - MODEL - 4 x 5 ESV NL

Sr.No	Description	Ref Part Nos	Qty
<b>8-51</b>	<b>. . ASSEMBLY CROSSHEAD 5" ESV</b>	<b>37046406</b>	–
8-1	. . . CROSSHEAD 5" STROKE ESV	30559728	1
<b>8-53</b>	<b>. . . ASSEMBLY PIN X HEAD SSTK ESV</b>	<b>37026291</b>	1
8-2	. . . . PIN CROSSHEAD	34579342	1
8-3	. . . . PLUG XHD PIN ESV	30569008	1
8-4	. . . . PLUG 1/4	95250932	1
8-5	. . . RING RETAINER 5 STK	30576144IM	2
–	. . CLOSURE OIL FILTER CAP PHE/ESV	94472792	1