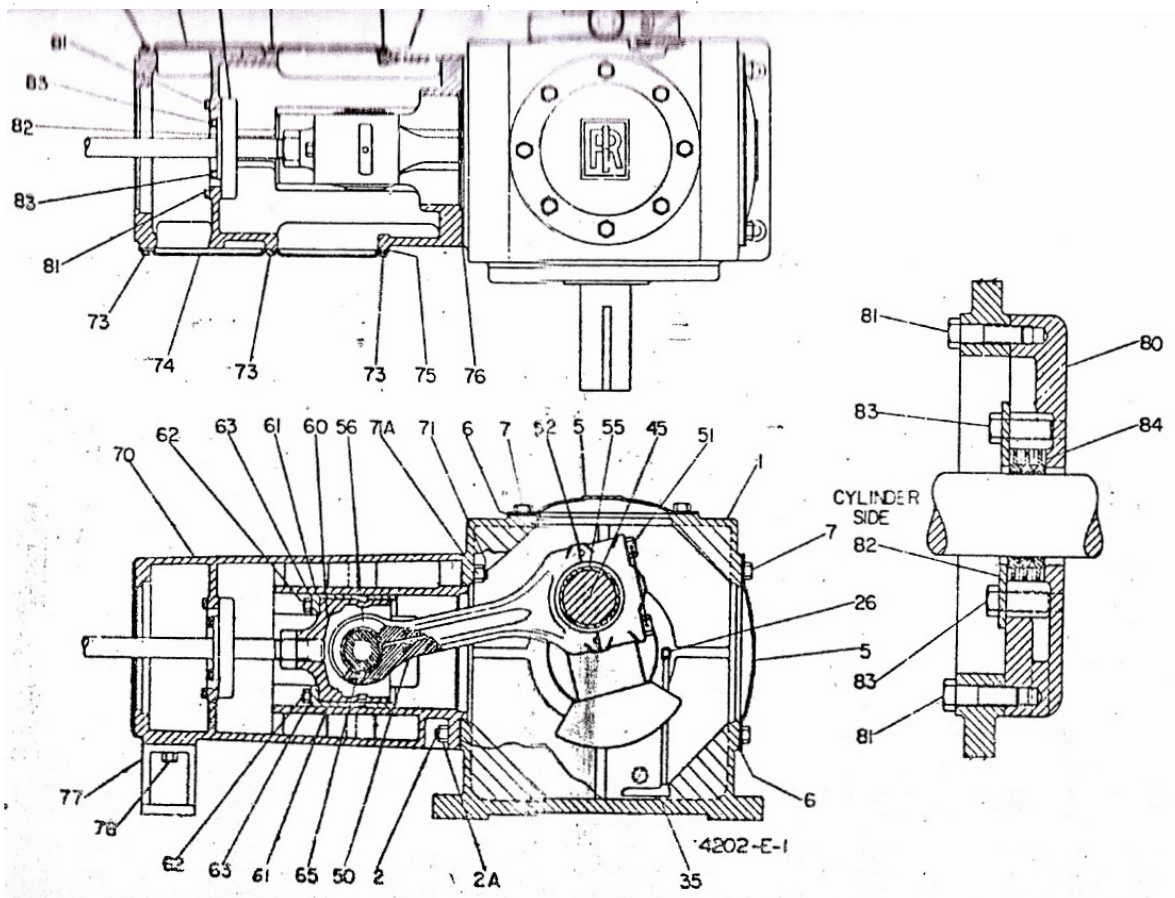
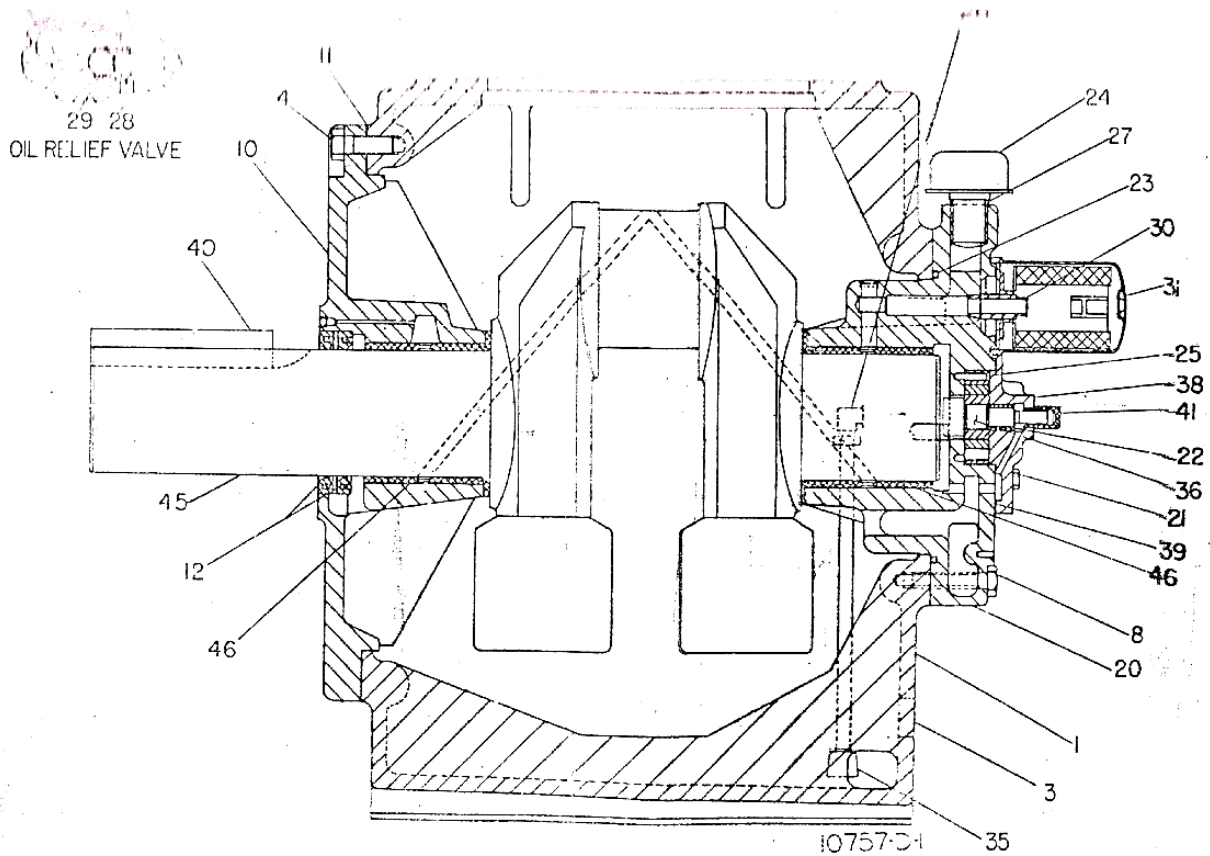


# 1. FRAME & GEAR COMPLETE - MODEL 12 X 9 ESV NL



## 1. FRAME & GEAR COMPLETE - MODEL 12 X 9 ESV NL

No.	Description	Ref Part No.	QTY
-	FRAME & GEAR	-	-
-	FRAME COMPLETE	3599E1T	-
1	FRAME	3599E1	1
2	STUD DIST PC	11A31538	2
2B	NUT DIST PC STUD	16A4C9	2
76	GASKET FRAME	4241B1	1
3	GAUGE OIL LEVEL	6453B1	1
5	COVER FRAME	6565C1	2
6	GASKET COVER	6566C1	2
7	CAPSCREW COVER	35A2-1C109	16
-	NIPPLE DRAIN	18A7W45	1
-	COUPLING DRAIN	11A7W5	1
-	PLUG DRAIN	30A7C6	2
-	PLUG	1-7890B1	1
-	HOUSING MB DS COMPL	3660E1T	-
10	HOUSING MB DS	3660E1	1
11	GASKET MB HSG	4242B1	1
4	CAPSCREW MB DS	35A2-1D378	6
-	HOUSING MB PS COMPL	3588E1T	-
20	HOUSING MB PS	3588E1	1
22	BUSHING OIL PUMP	2-3800C1	1
-	PLUG PIPE	31A7S4	1
-	PLUG PIPE	31A7S5	1
-	PLUG DRAIN	30A7S3	1
25	DOWEL PIN OIL PUMP	17A13A141	1
-	PLATE ROTATION	8A16X34B	1
-	SCREW DRIVE	122A2S57	2
8	CAPSCREW MB PS	35A2-1D382	4
23	O RING MB HSG	1-7608B1	1
26	ELBOW MALE	75A10B20	1
27	TUBE BREATHER	4848B1	1
28	SPRING RELIEF VALVE	4859B1	1
29	BALL RELIEF VALVE	6457B1	1
30	ADAPTER OIL FILTER	4765B1	1
31	FILTER OIL	6458B1	1
24	CAP BREATHER	6459B1	1
35	PIPE ASSEMBLY OIL SUCT	4A-3188E1	1
-	CASE SUCT SCREEN	NSS	1

## 1. FRAME & GEAR COMPLETE - MODEL 12 X 9 ESV NL

No.	Description	Ref Part No.	QTY
-	TUBING OIL SUCT	NSS	1
-	SCREEN SUCTION	NSS	1
-	TUBE NUT	NSS	1
36	PUMP OIL ASSEMBLY	Y1052T1	1
-	PUMP TYPE H	NSS	1
-	SHAFT PUMP DRIVE	NSS	1
-	RING PUMP LOCATING	NSS	1
41	COVER SHAFT	4944B1	1
-	COVER OIL PUMP COMPL	8141D1T	-
38	COVER OIL PUMP	8141D1	1
-	PLUG OIL PRIMING	31A7S4	1
-	PLUG PIPE	30A7S5	1
-	ROLL PIN	25A13C289	1
39	GASKET COVER	5856C1	1
21	CAPSCREW PUMP	35A2-1C163	5
46	BUSHING MAIN BEARING	1R16430	2
-	CRANKSHAFT ASSEMBLY	C-7573D1T	-
45	CRANKSHAFT	3610E1	1
-	CWT CRANKSHAFT	NSS	2
-	BOLT CWT	NSS	4
-	DOWEL CWT	NSS	2
-	DOWEL PUMP DRIVE	NSS	1
-	LOCKPIECE BOLT	NSS	4
40	KEY CRANKSHAFT	11A9C596	1
12	SEAL CRANKSHAFT OIL	X1220T123	2
-	ROD CONN & CAP COMPL	7125D1T	-
50	ROD CONN & CAP	7125D1	1
51	BOLT CONN ROD	5025C1	2
-	WIRE LOCKING	X1636T1/8X16	1
52	PIN LOCATING	16A13C224	2
55	BUSHING CRANKPIN	5026C1	1
56	BUSHING XHEAD PIN	5027C1	1
-	CROSSHEAD COMPLETE	2655E1T	-
60	CROSSHEAD	2655E1	1
61	SHOE XHEAD	7142D1	2
62	BOLT XHEAD SHOE	35A2-1C378	2
63	LOCK WASHER	14A5C132	2
65	PIN XHEAD	5028C1	1

## 1. FRAME & GEAR COMPLETE - MODEL 12 X 9 ESV NL

No.	Description	Ref Part No.	QTY
-	PLUG XHEAD PIN	5040B1	1
-	RING XHEAD PINLOCK	Y1040T1	2
-	DIST PC & GUIDE COMPL	C-2649E1T	-
70	DIST PC & GUIDE	C-2649E1	1
71	STUD DIST PC	11A3J538	6
71A	NUT DIST PC STUD	16A4C9	6
-	PLUG DRAIN	30A7S4	1
73	CAPSCREW COVER	35A2-1C215	30
74	COVER DIST PC	6553C1	2
75	GASKET COVER	6555C1	2
77	FOOT DISTANCE PC	5045C1	1
78	CAPSCREW FOOT PC	35A2-10377	2
-	SCRAPPER PART ASSY	10560D1T	-
80	PLATE PART	10560D1	1
81	CAPSCREW DIST PC	35A2-1C219	4
82	PLATE SCRAPPER	7434C1	1
83	CAPSCREW PLATE	35A2-1C215	4
84	RING SCRAPER	27A11G32A	3