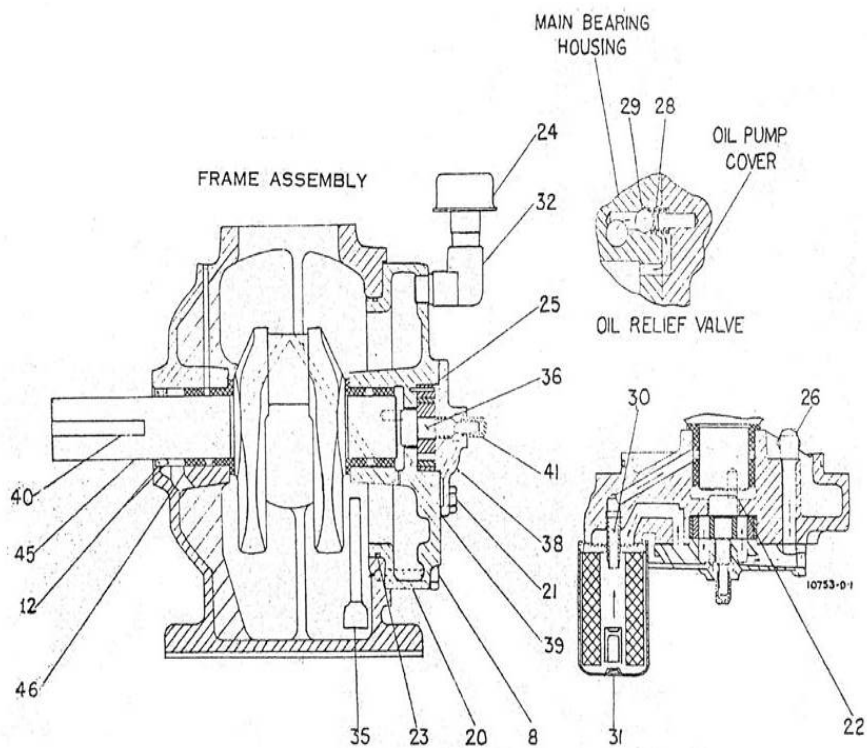
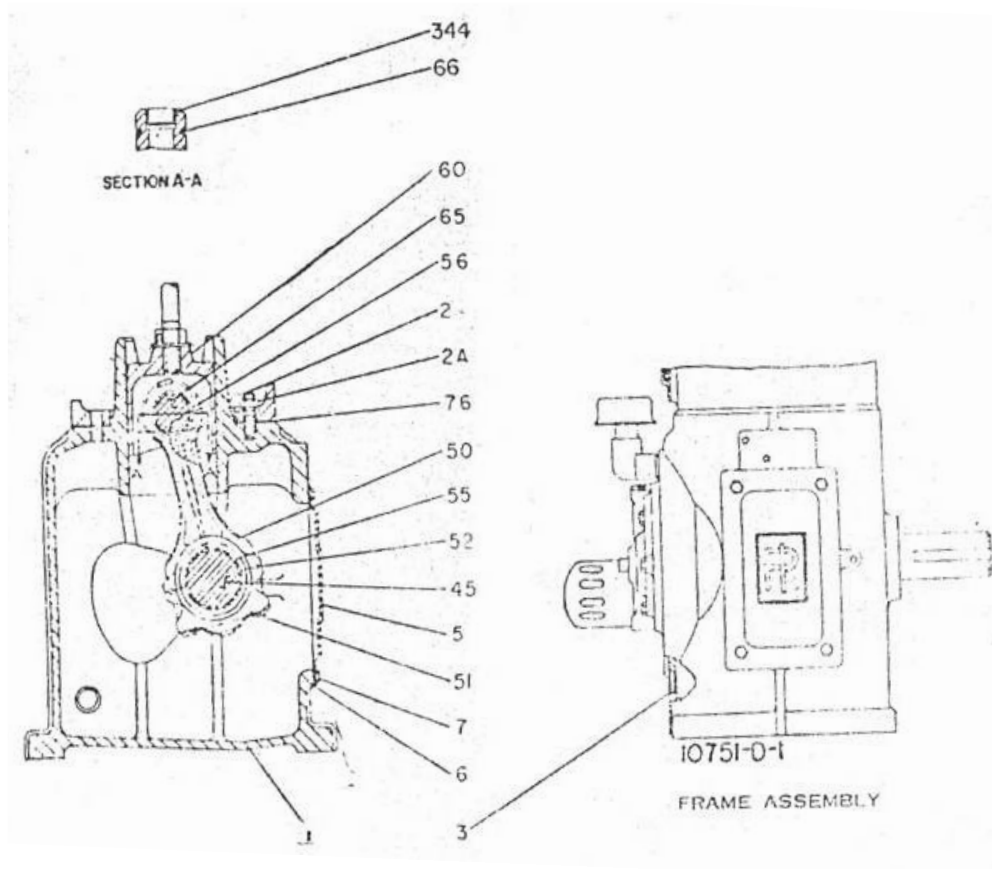


1. FRAME & GEAR - MODEL 11 X 7 ESV NL



1. FRAME & GEAR - MODEL 11 X 7 ESV NL

No.	Description	Ref Part No.	QTY
–	Frame & Gear	–	–
–	Frame Complete	3674E1T	–
1	Frame	3674E1	1
2	Stud - Dist PC	11A3C462	8
2A	Nut - DistpcStud	16A4C8	8
76	Gasket - Frame	8367D1	1
3	Gauge - Oil Level	6453B1	1
5	Cover - Frame	6537C1	1
6	Gasket - Cover	5849C1-2	1
7	Capscrew - Cover	35A2C217	4
–	Nipple - Drain	18A7W44	1
–	Coupling Drain	11A7W4	1
–	Plug Drain	30A7S5	1
–	Housing - MB Complete	3171E1T	–
20	Housing - MB With Bush	3171E1N	1
22	Bushing - Oil Pump	3800C1-2	1
–	Plug - Pipe	31A7S4	2
25	Dowelpin - Oilpump	17A13A141	1
–	Plate - Rotation	8A16X34B	1
–	Screw - Drive	122A2S57	2
8	Capscrew - MB Hsg	35A2D386	2
23	O - Ring - MB Hsg	20A11CM457	1
26	Elbow - Male	75A10B20	1
32	Elbow - Breather	6768C1	1
28	Spring - Relief Vlv	4859B1	1
29	Ball - Relief Vlv	6457B1	1
31	Filter - Oil	6458B1	1
30	Adapter - Oil Filter	4765B1	1
24	Cap - Breather	6459B1	1
35	Pipe Assem - Oil Suct	3188E1-2	1
–	Case - Suct Screen	NSS	1
–	Tubing - Oil Suct	NSS	1
–	Screen - Suction	NSS	1
–	Nut - Tube	NSS	1
36	Pump - Oil Assy	Y1052T2	1
–	Pump - Type H	NSS	1
–	Shaft - Pump Drive	NSS	1
–	Ring - Pump Locating	NSS	1

1. FRAME & GEAR - MODEL 11 X 7 ESV NL

No.	Description	Ref Part No.	QTY
41	Cover - Shaft	4944B1	1
-	Cover - Oil Pump Compl	8141D1T	-
38	Cover - Oil Pump	8141D1	1
-	Plug - Oil Priming	31A7S4	1
-	Plug - Pipe	30A7S5	1
-	Rollpin	25A13C289	1
39	Gasket - Cover	5856C1-1	1
21	Capscrew - Pump	35A2C163	5
-	Bushing Cover	WIN-1362	1
46	Bushing - Main Bearing	5835C1	2
-	Crankshaft Assem	3161E1T	-
45	Crankshaft	3161E1	1
-	Dowel - Pump Drive	NSS	1
40	Key - Crankshaft	11A9C436	1
12	Seal - C - Shaftoil	X1220T121	2
-	Rod - Conn & Cap Compl	37189628	-
-	Rod - Conn & Cap Assy	14277D1T	-
50	Rod - Conn & Cap	14277D1	1
51	Bolt - Conn Rod	36A2A440E	2
-	Inches of Wire	X1636T120	16
52	Bushing - A1- Ingnment	1W132626	2
55	Bushing - Crankpin	5833C1IM	1
56	Bushing - Xhead Pin	5832C1	1
-	Crosshead Complete	3165E1P1T	-
60	Crosshead	3165E1P1	1
65	Pin - Xhead Complete	8498C1T	1
-	Pin - Xhead	8498C1	1
344	Plug - Pin	5040B1	1
-	Plug - Pipe	31A7S3	1
66	Ring - Retaining	Y1040T3IM	2