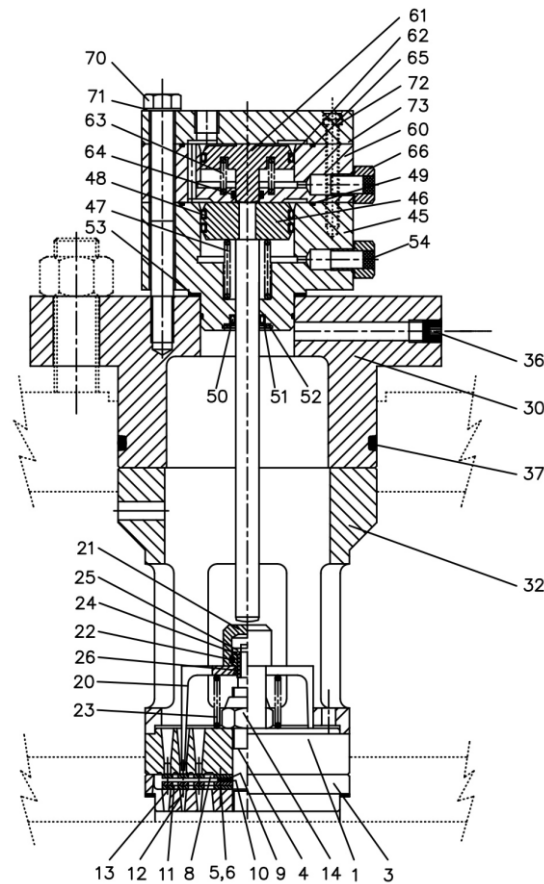


70469929 - VALVE INLET WITH U/L



No.	Description	Ref Part No.	QTY
-	VALVE INLET WITH U/L	70469929	-
32	- CAGE	17271982	1
37	- O-RING	17271990	1
-	- VALVE INLET W/U/L 92FD	17272402	1
-	- - VALVE INLET 92FD	17272410	1
-	- - - ASSEMBLY GUARD INLET 92FD	17268772	1
3	- - - - GUARD INLET 92FD	17272428	1
4	- - - - BOLT CENTER 1018	17272436	1
6	- - - - PIN LOCATING	33017658	1
-	- - - - BOLT LOCK	33055138	1
5	- - - - PIN LOCATING	37054616	1
11	- - - PLATE DAMPING	33010877	2
8	- - - PLATE VALVE	33017559	1
13	- - - SPRING CLOSING	33426024	4
12	- - - SPRING CLOSING	33426917	4
1	- - - SEAT INLET	37987187	1
9	- - - WASHER LIFT	39217849	1
10	- - - WASHER LIFT	39217849	1

70469929 - VALVE INLET WITH U/L

No.	Description	Ref Part No.	QTY
14	---- LOCKNUT	39217864	1
-	-- ASSEMBLY UNLOADER	37987179	1
23	---- SPRING UNLOADER	34033670	1
22	---- WIRE LOCKING	37949963	1
25	---- PIN UNLOADER	37949971	1
24	---- RING STOP	37949989	1
21	---- COVER UNLOADER	37949997	1
26	---- BUSHING GUIDE	37950003	1
20	---- UNLOADER	37987237	1
30	- COVER	17272493	1
36	- PLUG DRAIN	37984820	1