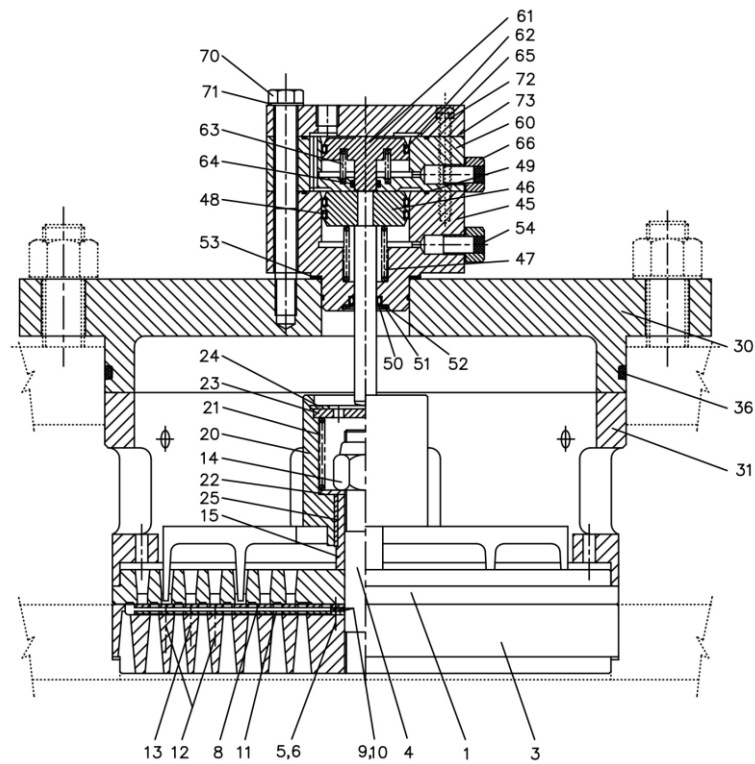


70469820 - VALVE INLET WITH U/L



No.	Description	Ref Part No.	QTY
-	VALVE INLET WITH U/L	70469820	-
31	- CAGE	17271750	1
36	- O-RING	17271792	1
-	- VALVE INLET W/UNL 268K	17272006	1
-	- - VALVE INLET 268K	17272014	1
1	- - - SEAT SUCTION 268K	17268707	1
-	- - - ASSEMBLY GUARD INLET 268KG	17268715	1
5	- - - - PIN LOCATING	17271701	1
3	- - - - GUARD INLET 268K	17272022	1
4	- - - - BOLT CENTER 1414	17272030	1
-	- - - - BOLT LOCK	33055138	1
6	- - - - PIN LOCATING	37054608	1
8	- - - PLATE VALVE 268K	17268723	1
11	- - - PLATE DAMPING 268KG	17268731	1
9	- - - WASHER LIFT	17271719	1
10	- - - WASHER LIFT	17271727	1
14	- - - LOCKNUT 1414	17271735	1
15	- - - GUIDE BUSHING	17272048	1

70469820 - VALVE INLET WITH U/L

No.	Description	Ref Part No.	QTY
13	--- SPRING CLOSING	33426115	4
12	--- SPRING	33426966	16
-	-- ASSEMBLY UNLOADER DT7	17272055	1
20	--- UNLOADER DT7	17272063	1
21	--- SPRING RECOIL	17272097	1
22	--- WASHER	17272105	1
23	--- COVER UNLOADER D7	17272113	1
24	--- RING LOCK	17272121	1
25	--- BUSHING	17272139	1
30	- COVER	17272188	1