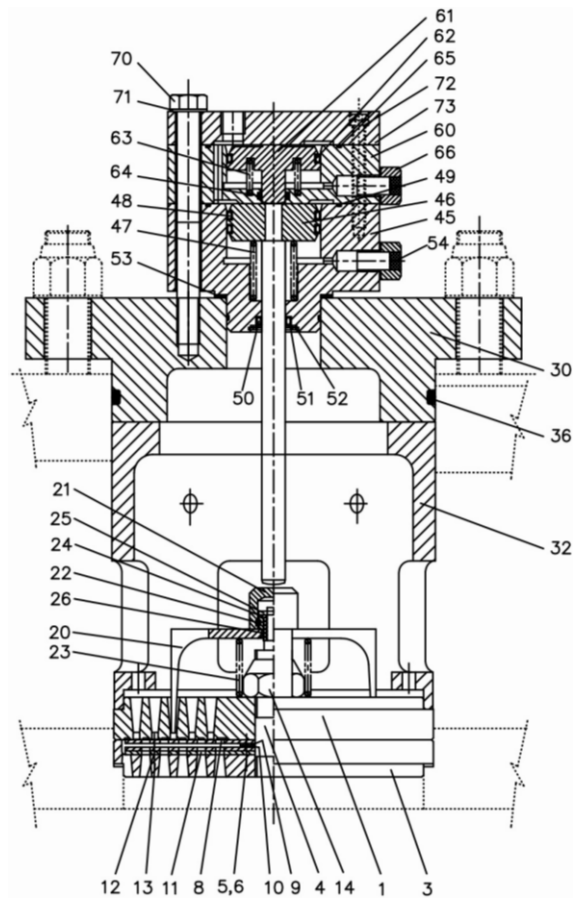


## 70469861 - VALVE INLET WITH U/L



No.	Description	Ref Part No.	QTY
-	<b>VALVE INLET WITH U/L</b>	<b>70469861</b>	-
36	- O-RING	17271883	1
32	- CAGE	17271933	1
-	- <b>VALVE INLET W/UNL 154HD</b>	<b>17272303</b>	<b>1</b>
-	-- <b>VALVE INLET 154HD</b>	<b>17272311</b>	<b>1</b>
1	--- SEAT SUCTION 154HD	17268756	1
-	---- <b>ASSEMBLY GUARD INLET 154HD</b>	<b>17268764</b>	<b>1</b>
4	----- BOLT CENTER 1216	17272220	1
3	----- GUARD INLET	17272329	1
-	----- BOLT LOCK	33055138	1
5	----- PIN LOCATING	37054608	1
6	----- PIN LOCATING	37211869	1
13	---- SPRING CLOSING	33426024	4
12	---- SPRING	33427006	4
8	---- PLATE VALVE	37284205	1
11	---- PLATE DAMPING	37284270	2
14	---- LOCKNUT	37989621	1
9	---- WASHER LIFT	97193361	1

## 70469861 - VALVE INLET WITH U/L

No.	Description	Ref Part No.	QTY
10	--- WASHER LIFT	97193361	1
-	-- <b>ASSEMBLY UNLOADER</b>	<b>17272337</b>	<b>1</b>
20	--- UNLOADER	17272345	1
23	--- SPRING	34037432	1
22	--- WIRE LOCKING	37949963	1
25	--- PIN UNLOADER	37949971	1
24	--- RING STOP	37949989	1
21	--- COVER UNLOADER	37949997	1
26	--- BUSHING GUIDE	37950003	1
30	- COVER	17272394	1